

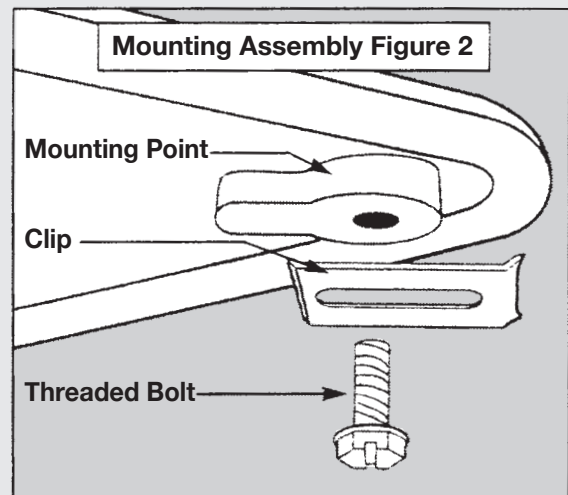
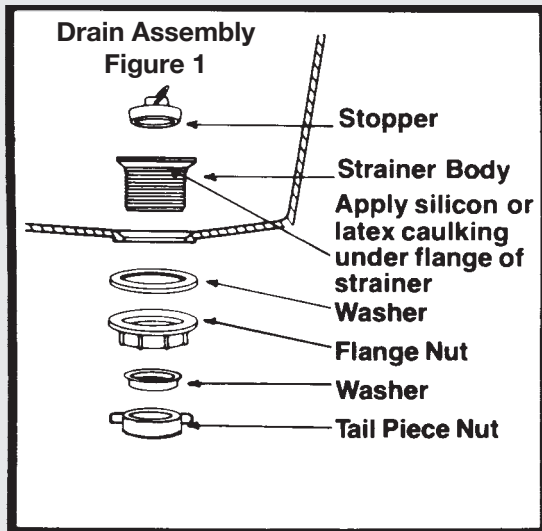
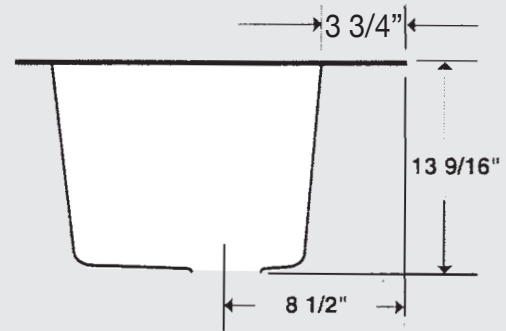
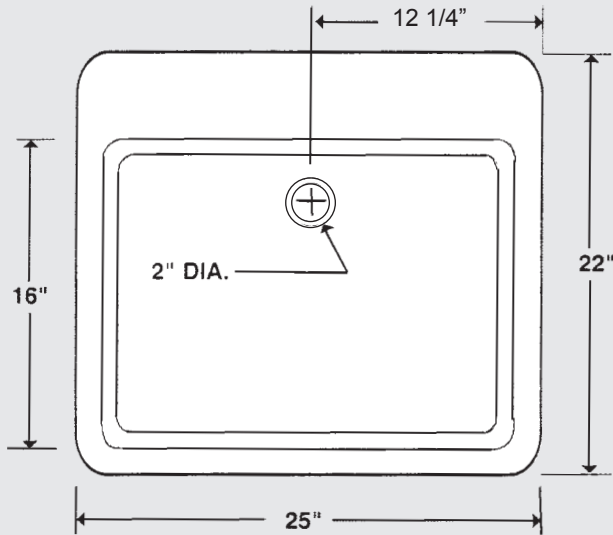
TO BE REMOVED FOR USE BY OCCUPANT



Swan

Installation Procedure for
MODEL SSUS1000

SWANSTONE UTILITY SINK



Read ALL instructions carefully BEFORE starting your installation
CAPACITY 17.50 GALLONS

1. Measure and cut counter hole for sink insertion 23-5/8" wide x 20-5/8" long. Test fit sink. File any areas which require widening.
2. After test fitting sink, remove from counter hole and install faucet (not included) and drain assembly (see Figure 1).
3. Set sink into place and assemble bracket, washer, and nut attachments (see Figure 2). Alternating from one to another, tighten mounting bracket assembly nuts.
4. Some caulking residue may flow from under sink flange. This residue can be wiped clean following instructions on silicone or latex caulking tube.
5. Attach drain waste and faucet plumbing.

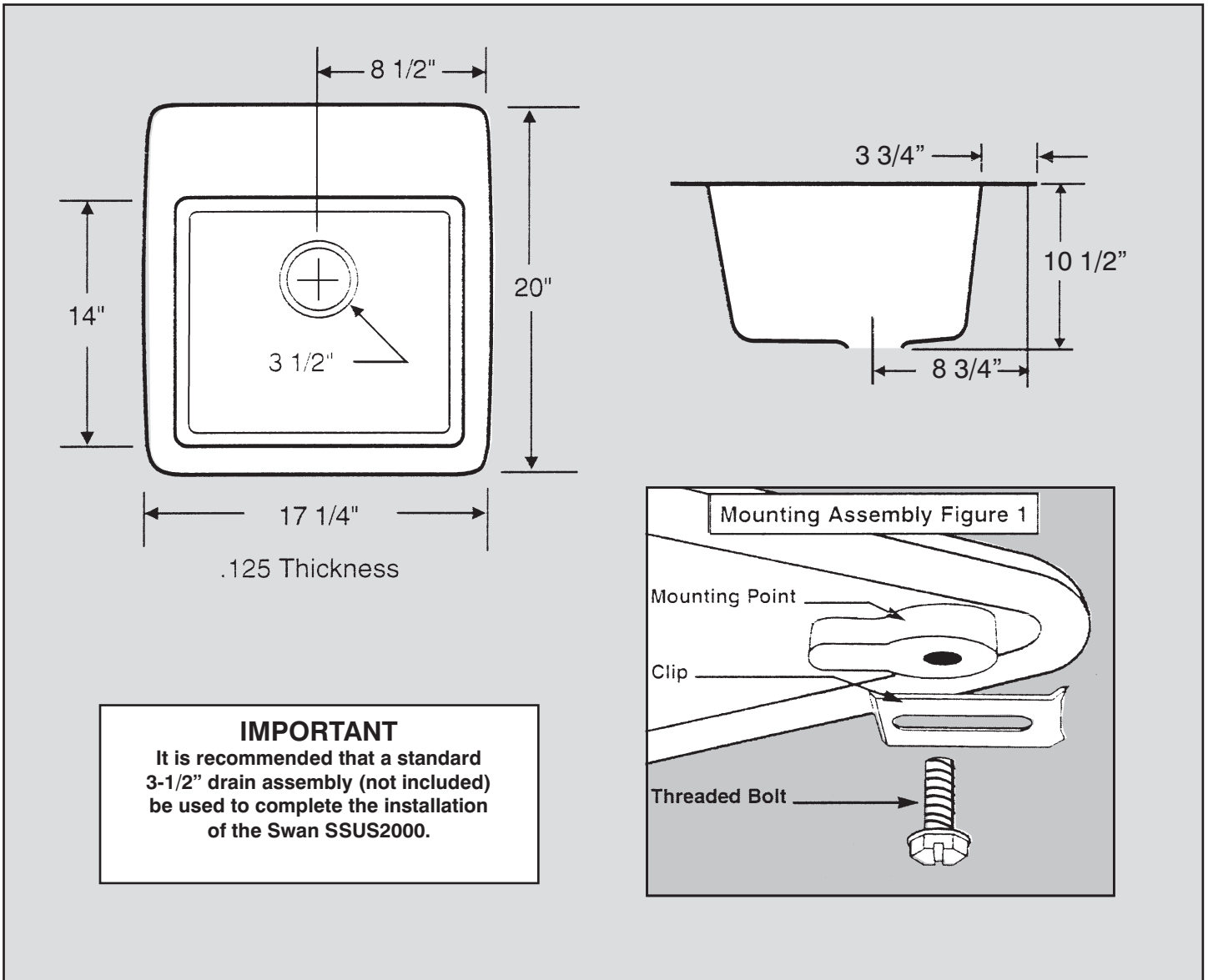
Helpful Hint for easy installation of final supply line connections, it is suggested that, if possible, plumbing connection to faucet be made at this point. Plumbing connections to hot and cold supply line can then be made after sink is secured to counter top.

3. In the installation of the SSUS1000, DO NOT use the white washer in the installation process. Use of the white washer may cause the drain to sit improperly and cause water to pool around the drain area.

TO BE REMOVED FOR USE BY OCCUPANT



Installation Procedure for
MODEL SSUS2000
SWANSTONE UTILITY SINK



IMPORTANT
It is recommended that a standard 3-1/2" drain assembly (not included) be used to complete the installation of the Swan SSUS2000.

Read ALL instructions carefully BEFORE starting your installation
CAPACITY 7 GALLONS

1. Measure and cut counter hole for sink insertion 15-7/8" wide x 18-5/8" long. Test fit sink. File any areas which require widening.
2. After test fitting sink, remove from counter hole and install faucet (not included) and drain assembly (not included). A standard 3-1/2" drain assembly is recommended.
3. Caulk along edges of 15-7/8" x 18-5/8" counter hole with 1/8" bead of silicone or latex caulk (not included).
4. Set sink into place and assemble (see Figure 1). Alternate from one threaded bolt to another until all bolts are tight.
5. Some caulking residue may flow from under sink flange. This residue can be wiped clean following instructions on silicone or latex caulking tube.
6. Attach drain waste and faucet plumbing.

NOTE
For easy installation of final supply line connections, it is suggested that, if possible, plumbing connection to faucet be made at this point. Plumbing connections to hot and cold supply line can then be made after sink is secured to counter top.