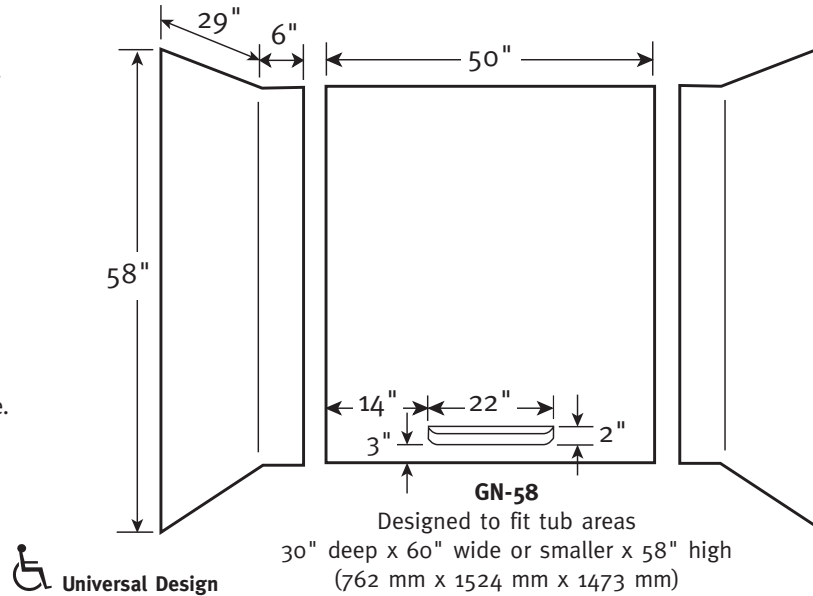


Manufactured from Veritek®
(See page 2 for detailed information.)

WARRANTY
Limited Lifetime – Residential
Limited 5-year – Commercial

FEATURES

- Will not mold or mildew, no grout to clean.
- Ideal for both remodeling projects and new construction.
- Meets ADA guidelines for soap dish height and grab bar installation.
- Affordable wall system made of Veritek® with no surface coating to chip or crack—color runs throughout.
- The **GN-58** is a glue-up three piece compression-molded composite with molded-in color and a natural gloss surface.



SPECIFICATIONS

GN-58 Veritek® 3-Panel Tub Wall Kit

Model	Part	Tub Area Designed To Fit	Ship Wt. Lb.	Ship FedEx	Carton Dims. In.	Cu. Ft.
GN-58	GN58000	30" D x 60" W* x 58" H (*or smaller) (762 mm x 1524 mm x 1473 mm)	57	–	61 x 61 x 6	12.92

Kit Includes: One back panel with molded-in soap dish, two end panels and color coordinated silicone.

Packaging: Each kit is packed in a flat, rectangular carton.

COLORS

(See inside back cover for color sample.)

Solid Colors:

- White (010)
- Bone (037)
- Bisque (018)
- Bright White (137)
- Pearl (138)

Aggregate Colors:

- Bermuda Sand (040)
- Cloud Bone (126)
- Cloud White (125)
- Gray Granite (042)
- Tahiti Desert (050)

SUPPORT DOCUMENTS

Installation instructions available at swanstone.com.

 **MADE IN USA**

MAINTENANCE AND CLEANING INFORMATION

Clean regularly with common household liquid cleaners and a sponge or soft cloth. For hard water stains, scale removers can be used. To protect finish, fiberglass wax or automotive paste wax can be applied. **Do not** use abrasive cleaners or scouring pads. **Do not** use “leave on” cleaning products, such as automatic spray shower cleaners. Prolonged contact with harsh chemicals could have an adverse reaction over time and discolor surfaces. **Do not** use cleaning agents that caution use on acrylic, polyester or plastics.