



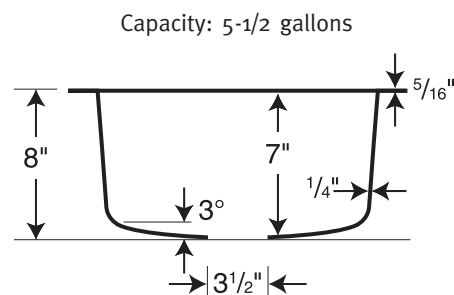
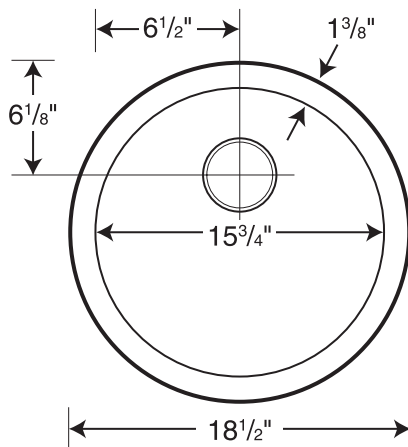
**WARRANTY**  
 Limited Lifetime – Residential  
 Limited 10-year – Commercial

**Manufactured from Swanstone solid surface**  
 (See page 2 for detailed information.)

*Recommended for high-use traffic areas and commercial surfaces.*

**FEATURES**

- Ideal as a vegetable prep sink in kitchen island.
- Also makes a high-capacity entertainment sink.
- Renewable surface will not wear away.
- Hot pots and boiling water will not damage it.
- Highest resistance of impact from heavy objects.
- Easily accommodates all faucet styles.
- Heat, stain and scratch resistant for lasting beauty.
- Matching or contrasting countertops available. Contact a Swan representative for more information.



**SPECIFICATIONS**

**KSRB-18 Round Bowl**

Model	Part	Nominal Dimensions	Ship Wt. Lb.	Ship FedEx	Carton Dims. In.	Cu. Ft.
KSRB-18	KS00018RB	18-1/2" Diameter (470 mm)	18	FedEx	22 x 21 x 10	2.68

**COLORS**

(See inside back cover for color sample.)

**Solid Colors:**

- White (010)
- Bone (037)
- Bisque (018)
- Bright White (137)
- Pearl (138)

- Glacier (121)
- Gray Granite (042)
- Indian Grass (071)
- Night Sky (012)
- Pebble (072)
- Prairie (122)

**Aggregate Colors:**

- Acorn (123)
- Almond Galaxy (046)
- Arctic Granite (035)
- Baby's Breath (168)
- Barley (091)
- Bermuda Sand (040)
- Black Galaxy (015)
- Canyon (124)
- Caraway Seed (169)
- Cornflower (063)

- Sierra (094)
- Tahiti Desert (050)
- Tahiti Gray (053)
- Tahiti Ivory (059)
- Tahiti Matrix (058)
- Tahiti Sand (051)
- Tahiti Terra (055)
- Tahiti White (011)
- Winter Wheat (060)

**STANDARDS AND RATINGS**

American National Standard Institute—ANSI Z124.6  
 International Association of Plumbing and Mechanical Officials (IAPMO)—Listed cUPC listed—Certified to CSA Test Standard B45.5 by IAPMO  
 Uniform Plumbing Code (UPC)  
 National Sanitation Foundation—NSF/ANSI 51 Food Equipment Materials

For a complete list of tests and results see the Technical Data Sheet.

**SUPPORT DOCUMENTS**

Installation instructions available at [swanstone.com](http://swanstone.com).

**MADE IN USA**

**MAINTENANCE AND CLEANING INFORMATION**

Clean your Swanstone sink by using abrasive cleaners or other similar products. Use of a nylon scouring pad or Mr. Clean® Magic Eraser® is also recommended. Food-based stains can be removed using a 50-50 mix of bleach and water solution and soaking for 15 minutes. For rust or other mineral stains, rust-removing products are acceptable. **Do not** use metal scouring pads.