



Single Threshold Shower Floors

SWANSTONE SHOWER FLOORS

With Fit-Flo™ Drain (continued)

Manufactured from Swanstone solid surface
(See page 2 for detailed information.)

WARRANTY
Limited Lifetime – Residential
Limited 10-year – Commercial

Recommended for high-use traffic areas and commercial surfaces.

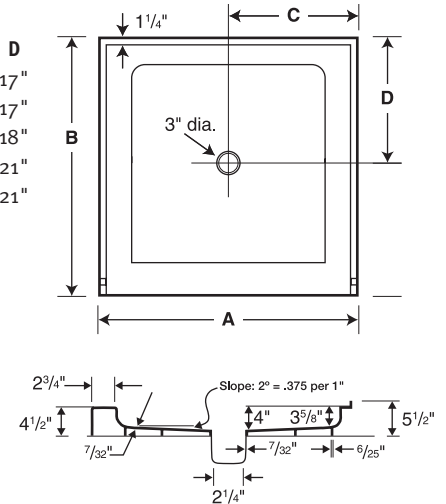
FEATURES

- Reinforced solid surface means color and texture run all the way through and cannot wear away.
- Will not mold or mildew, no grout to clean.
- Coordinates with Swanstone shower and bath systems.
- Pebbled, slip-resistant surface.

Model	A	B	C	D
SS-3454	54"	34"	27"	17"
SS-3460	60"	34"	30"	17"
SS-3636	36"	36"	18"	18"
SS-4236	36"	42"	18"	21"
SS-4242	42"	42"	21"	21"

Model	Nominal Size	Rough-In Dimensions			
		A	B	C	D
SS-3454	34" x 54"	54-3/8"	34-3/16"	27-3/16"	17-3/16"
SS-3460	34" x 60"	60-3/8"	34-3/16"	30-3/16"	17-3/16"
SS-3636	36" x 36"	36-3/8"	36-3/16"	18-3/16"	18-3/16"
SS-4236	42" x 36"	36-3/8"	42-3/16"	18-3/16"	20-3/16"
SS-4242	42" x 42"	42-3/8"	42-3/16"	21-3/16"	21-3/16"

IMPORTANT: Rough-in dimensions are provided for reference only. You must measure the actual shower floor and check local building code requirements before construction of the stud wall.



SPECIFICATIONS

Single Threshold Shower Floors With Fit-Flo™ Drain

Model	Part	Nominal Size	Dimensions	Ship Wt. Lb.	Ship FedEx	Carton Dims. In.	Cu. Ft.
SS-3454	SF03454MD	34" D	x 54" W (864 mm x 1372 mm)	55	-	60 x 40 x 10	14
SS-3460	SF03460MD	34" D	x 60" W (864 mm x 1524 mm)	54	-	69 x 40 x 10	16
SS-3636	SF03636MD	36" D	x 36" W (914 mm x 914 mm)	40	-	42 x 41 x 10	10
SS-4236	SF04236MD	42" D	x 36" W (1067 mm x 914 mm)	44	-	47 x 42 x 10	12
SS-4242	SF04242MD	42" D	x 42" W (1067 mm x 1067 mm)	53	-	48 x 48 x 10	14

Includes: One code-approved compression-molded Swanstone floor with molded-in Fit-Flo drain.

Packaging: Each floor packed in a rectangular carton.

STANDARDS AND RATINGS

American National Standard Institute—ANSI Z124.1.2

International Association of Plumbing and Mechanical Officials (IAPMO)—Listed

CSA Standard B45.5 by IAPMO

Uniform Plumbing Code (UPC)

For a complete list of tests and results see the Technical Data Sheet.

SUPPORT DOCUMENTS

Installation instructions available at swanstone.com.

MADE IN USA

COLORS

(See inside back cover for color sample.)

Solid Colors:

- White (010)
- Bone (037)
- Bisque (018)
- Bright White (137)
- Pearl (138)

Aggregate Colors:

- Acorn (123) 🍂
- Almond Galaxy (046)
- Arctic Granite (035)
- Baby's Breath (168)
- Barley (091)
- Bermuda Sand (040)
- Canyon (124) 🍂
- Caraway Seed (169)
- Cloud Bone (126)
- Cloud White (125)
- Cornflower (063)
- Glacier (121) 🍂

- Golden Steppe (128)
- Gray Granite (042)
- Ice (130)
- Indian Grass (071)
- Mountain Haze (129)
- Night Sky (012)
- Pebble (072)
- Prairie (122) 🍂
- Sierra (094)
- Tahiti Desert (050)
- Tahiti Gray (053)
- Tahiti Ivory (059)
- Tahiti Matrix (058)
- Tahiti Sand (051)
- Tahiti Terra (055)
- Tahiti White (011)
- Tundra (131)
- Winter Wheat (060)

MAINTENANCE AND CLEANING INFORMATION

Clean regularly with common household liquid cleaners and a sponge or soft cloth. For hard water stains, scale removers can be used. If necessary, abrasive cleaners can be used with a nylon brush or pad to remove build up on the shower floor surface. **Do not** use a metal-scouring pad or a wire brush, as it will damage the surface. **Do not** use "leave on" cleaning products, such as automatic spray shower cleaners. Prolonged contact with harsh chemicals could have an adverse reaction over time and discolor surfaces. **Do not** use cleaning agents that caution use on acrylic, polyester or plastics.