

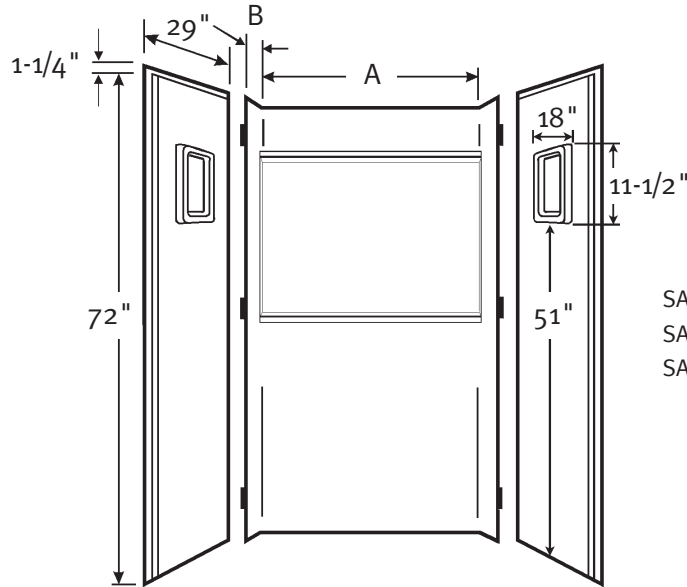
Manufactured from Veritek®
(See page 2 for detailed information.)

WARRANTY

Limited Lifetime – Residential
Limited 5-year – Commercial

FEATURES

- Nails directly to studs for fast installation.
- Sturdy interlocking system for one-piece appearance.
- Panels easily fit through existing doorways and can be installed by one person.
- Made of Veritek® composite material with no surface coating to chip or crack.
- The SA Series is a three piece compression-molded material with molded-in color and a natural gloss surface.



Back Panel Dimensions

SA-3232	A 32"	B 3"
SA-3636	A 36"	B 7"
SA-3448	A 48"	B 5"

SPECIFICATIONS

Veritek® Shower Alcove Walls

Model	Part	Wall Area Designed To Fit	Ship Wt. Lb.	Ship FedEx	Carton Dims. In.	Cu. Ft.
SA-3232	SA03232	32" D x 32" W x 72" H* (813 mm x 813 mm x 1829 mm)	66	-	76 x 35 x 10	15.4
Fits shower floor size 32" D x 32" W (813 mm x 813 mm)						
SA-3636	SA03636	36" D x 36" W x 72" H* (914 mm x 914 mm x 1829 mm)	84	-	80 x 40 x 10	18.5
Fits shower floor size 36" D x 36" W (914 mm x 914 mm)						
SA-3448	SA03448	34" D x 48" W x 72" H* (864 mm x 1219 mm x 1829 mm)	106	-	76 x 52 x 10	22.9
Fits shower floor size 34" D x 48" W (864 mm x 1219 mm)						

*1-1/2-inch additional area required on outer edges of wall panels to accommodate nail-up flange.

Each Kit Includes: One right side panel, one left side panel and one back panel with six factory-installed wall mounting clips

Packaging: Each kit is packed in a flat, rectangular carton.

COLORS

(See inside back cover for color sample.)

Solid Colors:

- White (010)
- Bone (037)
- Bisque (018)
- Bright White (137)
- Pearl (138)

Aggregate Colors:

- Bermuda Sand (040)
- Gray Granite (042)
- Tahiti Desert (050)

SUPPORT DOCUMENTS

Installation instructions available at swanstone.com.

 **MADE IN USA**

MAINTENANCE AND CLEANING INFORMATION

Clean regularly with common household liquid cleaners and a sponge or soft cloth. For hard water stains, scale removers can be used. To protect finish, fiberglass wax or automotive paste wax can be applied. **Do not** use abrasive cleaners or scouring pads. **Do not** use "leave on" cleaning products, such as automatic spray shower cleaners. Prolonged contact with harsh chemicals could have an adverse reaction over time and discolor surfaces. **Do not** use cleaning agents that caution use on acrylic, polyester or plastics.