

B

Swanstone Recessed Shelves and Soap Dishes



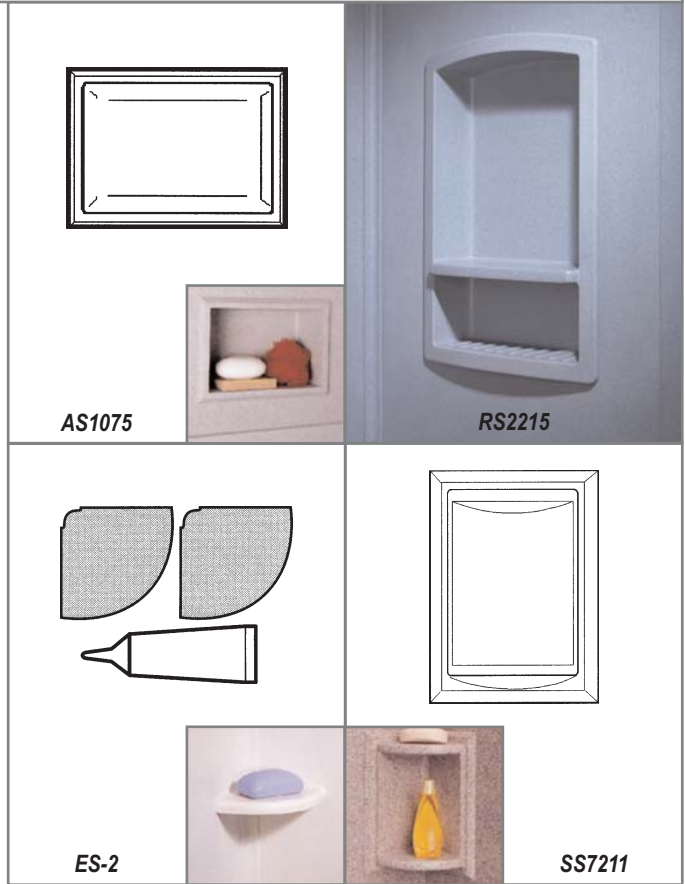
Recessed Shelves AS1075 RS2215

AS1075 recessed accessory shelf has the size and depth to easily accommodate a variety of toiletries, and it can be installed vertically or horizontally. 10-3/4" H x 7-1/2" W x 4-1/8" D. RS2215 recessed shampoo shelf easily accommodates large bottles, installs flush, and has run-off channels. 22" H x 15" W x 4-5/16" D. Each includes one tube of clear adhesive.

Soap Dishes ES-2 SS7211

ES-2 is an economy corner soap dish that can be mounted at any height. Kit has two dishes sculpted to fit the Swanstone corner molding and one tube of silicone adhesive. SS7211 corner soap dish is a handy accessory for your shower. 11" H x 5-3/4" D. Kit includes one molded soap dish, one tube of clear adhesive and one tube of color matched caulk.

Available in White (01), Tahiti White (11), Bisque (18), Arctic Granite (35), Bone (37), Bermuda Sand (40), Almond Galaxy (46), Cornflower (63), Tahiti Desert (A0), Tahiti Sand (A1) and Tahiti Ivory (A9). Other colors available by special order.



Product No.	Description	Unit	Approximate Shipping Weight/Unit
AS1075-##	Recessed Accessory Shelf, Solid	each	5 lbs.
AS1075-##	Recessed Accessory Shelf, Aggregate	each	5 lbs.
RS2215-##	Recessed Shampoo Shelf, Solid	each	12 lbs.
RS2215-##	Recessed Shampoo Shelf, Aggregate	each	12 lbs.
ES-2-##	Economy Soap Dish, Solid	each	2 lbs.
ES-2-##	Economy Soap Dish, Aggregate	each	2 lbs.
SS7211-##	Corner Soap Dish, Solid	each	5 lbs.
SS7211-##	Corner Soap Dish, Aggregate	each	5 lbs.

Swanstone Installation Kits

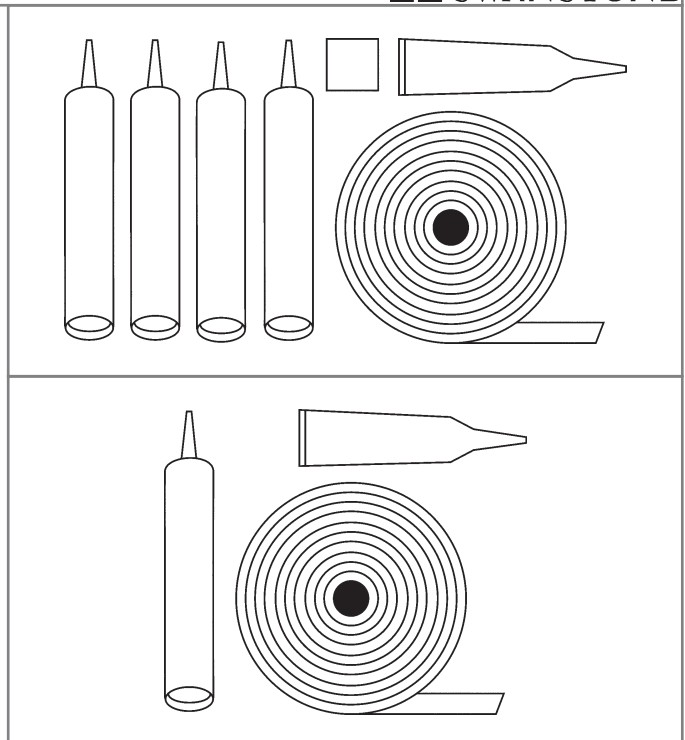


Installation Kits SS29 SS72

The SS29 kit includes four tubes of adhesive, one tube of caulk, foam spacer and pressure sensitive tape to mount wall panels. One SS29 kit per tub wall panel system. The SS72 kit includes caulk, adhesive and pressure sensitive tape to attach a single panel to any properly prepared surface. For multiple panel applications, more than one SS72 kit will be required. Please refer the Swanstone Shower Selection Guide in this section.

Installation Kits are available in White (01), Tahiti White (11), Bisque (18), Arctic Granite (35), Bone (37), Bermuda Sand (40), Almond Galaxy (46), Cornflower (63), Tahiti Desert (A0), Tahiti Sand (A1) and Tahiti Ivory (A9). SS72 is also available in Winter Wheat (60).

Other Swanstone colors are available by special order.



Product No.	Description	Unit	Approximate Shipping Weight/Unit
SS29-##	Tub Wall Install Kit, Solid	each	6 lbs.
SS29-##	Tub Wall Install Kit, Tahiti	each	6 lbs.
SS29-##	Tub Wall Install Kit, Aggregate	each	6 lbs.
SS72-##	Install Kit, Solid	each	2 lbs.
SS72-##	Install Kit, Tahiti	each	2 lbs.
SS72-##	Install Kit, Aggregate	each	2 lbs.