

Bath Fans Ultra Silent Series



Fans QTR QTRE QTXE

- Nearly silent operation <0.3 to 1.5 sones
- 50 CFM to 150 CFM
- QTR and QTRE models feature 4" ducting
- QTXE features 6" ducting for superior performance
- QTXE110S detects increasing humidity at the ceiling level, and has an easy to set shut-off timer (5-60 minutes)
- QTRE and QTXE models are Energy Star qualified
- QTRE and QTXE include hanger bar system for fast, flexible installation for all types of construction
- Motor engineered for continuous operation
- HVI Certified
- UL Listed for use over bathtubs or showers when connected to a GFCI protected branch circuit

Fan/Lights QTR QTRE

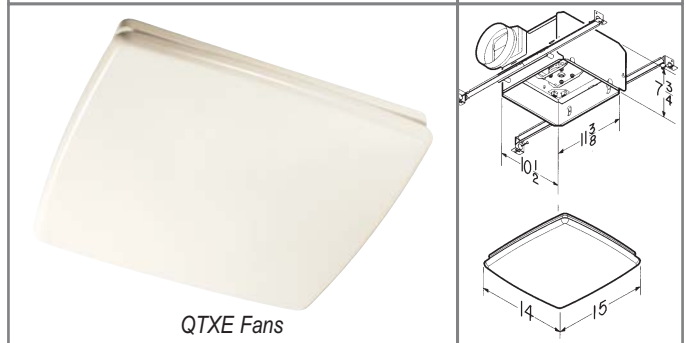
- Nearly silent operation <0.3 to 1.4 sones
- 80 CFM to 150 CFM
- QTR and QTRE models feature 4" ducting
- QTXE features 6" ducting for superior performance
- Bright, energy-efficient 42 watt fluorescent bulb included with QTRE and QTXE models
- 100 watt lighting from an incandescent bulb on QTR models
- 4 watt nightlight on all models
- QTRE and QTXE models are Energy Star qualified
- QTRE and QTXE include hanger bar system for fast, flexible installation for all types of construction
- Motor engineered for continuous operation
- HVI Certified
- UL Listed for use over bathtubs or showers when connected to a GFCI protected branch circuit
- Type IC

Fan/Light/Heater QTX

- Heater/Fan/Nightlight brings convenient, comforting warmth to your bathroom
- Nearly silent operation - 0.9 sone, 110 CFM fan
- Quiet, high-output 1500 watt heater with exclusive PowerHeat design
- 6" ducting for superior performance
- Bright 120 watt lighting (two 60W incandescent bulbs)
- 7 watt nightlight capacity
- Motor engineered for continuous operation
- HVI Certified
- Type IC
- Requires a dedicated 20 amp circuit



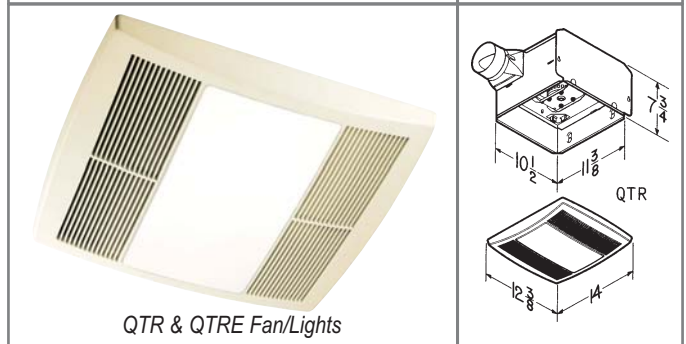
QTR & QTRE Fans



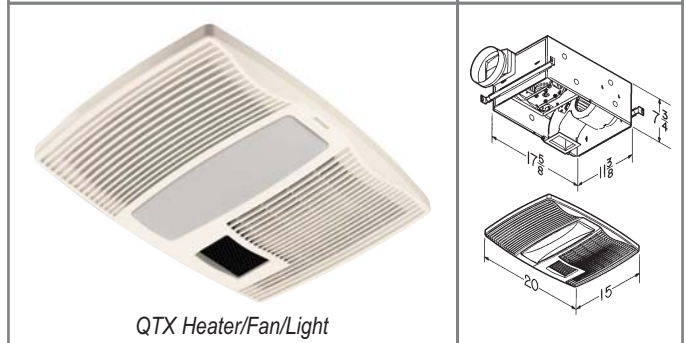
QTXE Fans



QTXE Humidity Sensing Fans



QTR & QTRE Fan/Lights



QTX Heater/Fan/Light

Product No.	Description	Amps	Housing HxWxD	CFM/Sones	Duct Size	Up to () Sq. Ft.
QTR080	QTR Fan	0.7	7 ³ / ₈ "x11 ³ / ₈ "x10 ¹ / ₂ "	80/1.0	4" RD	75
QTR110	QTR Fan	0.9	7 ³ / ₈ "x11 ³ / ₈ "x10 ¹ / ₂ "	110/1.5	4" RD	100
QTRE080	QTRE Fan	0.4	7 ³ / ₈ "x11 ³ / ₈ "x10 ¹ / ₂ "	80/1.0	4" RD	75
QTRE110	QTRE Fan	0.3	7 ³ / ₈ "x11 ³ / ₈ "x10 ¹ / ₂ "	110/1.5	4" RD	100
QTXE080	QTXE Fan	0.4	7 ³ / ₈ "x11 ³ / ₈ "x10 ¹ / ₂ "	80/0.3	6" RD	75
QTXE110	QTXE Fan	0.3	7 ³ / ₈ "x11 ³ / ₈ "x10 ¹ / ₂ "	110/0.7	6" RD	100
QTXE150	QTXE Fan	0.5	7 ³ / ₈ "x11 ³ / ₈ "x10 ¹ / ₂ "	150/1.4	6" RD	140
QTXE110S	QTXE HS Fan	0.3	7 ³ / ₈ "x11 ³ / ₈ "x10 ¹ / ₂ "	110/0.7	6" RD	100
QTR080L	QTR Fan/Light	1.6	7 ³ / ₈ "x11 ³ / ₈ "x10 ¹ / ₂ "	80/1.0	4" RD	75
QTR110L	QTR Fan/Light	0.9	7 ³ / ₈ "x11 ³ / ₈ "x10 ¹ / ₂ "	110/1.5	4" RD	100
QTRE080FL	QTRE Fan/Light	1.0	7 ³ / ₈ "x11 ³ / ₈ "x10 ¹ / ₂ "	80/0.8	4" RD	75
QTRE110FL	QTRE Fan/Light	1.0	7 ³ / ₈ "x11 ³ / ₈ "x10 ¹ / ₂ "	110/1.3	4" RD	100
QTXE110FL	QTXE Fan/Light	1.0	7 ³ / ₈ "x11 ³ / ₈ "x10 ¹ / ₂ "	110/0.7	6" RD	100
QTX110HL	QTX Fan/Lt/Heat	14.6	7 ³ / ₈ "x17 ³ / ₈ "x11 ³ / ₈ "	110/0.9	6" RD	100
QTHB1	Hanger Bars for QTR Series					

B

Bath Fans Designer Series



Fan/Light 750

- Classic white polymeric grilles
- Plug-in, permanently lubricated motor
- Efficient polymeric fan impeller
- Mounting ears offer sturdy, quick installation
- Shatter resistant lighting lenses
- Recommended with optional two-function wall control
- Round design eliminates squaring with bathroom walls
- UL Listed for use over bathtubs or showers when connected to a GFCI protected branch circuit
- Polymeric duct connectors with tapered sleeves for easier, positive ducting
- Type IC



Product No.	Description	Amps	Housing HxWxD	CFM/ Sones	Duct Size	Up to () Sq. Ft.
750	D Fan/Light White	1.7	9"x9"x6"	100/3.5	4" RD	90

750

Bath Fans Decorative Series



Decorative Fan/Lights 741 757

- 3.5 or 2.5 sones
- 70 or 80 CFM
- Corrosion-resistant finishes
- Beautifully styled glass globes
- Use two 60-watt incandescent candelabra bulbs (not included)
- Plug-in lighting fixture and permanently lubricated motor
- Polymeric blower wheel
- Sturdy, keyholed mounting brackets for quick, accurate installation
- Tapered, polymeric 4" round duct fitting for easy, positive duct connection and no metallic clatter
- Type IC



741

757SN

Product No.	Description	Amps	Housing HxWxD	CFM/ Sones	Duct Size	Up to () Sq. Ft.
741BR	DLF/Fan P Brass	2.3	5 3/4"x8"x8 1/4"	70/3.5	4" RD	65
741WH	DLF/Fan G White	2.3	5 3/4"x8"x8 1/4"	70/3.5	4" RD	65
741SN	DLF/Fan S Nickel	2.3	5 3/4"x8"x8 1/4"	70/3.5	4" RD	65
757SN	DLF/Fan S Nickel	1.6	5 3/4"x8"x8 1/4"	80/2.5	4" RD	75

Bath Fans Premium & Combination Units



Ceiling Mount Fans 676 684

- 80 to 110 CFM
- Centrifugal blower wheel and 4-pole motor deliver high exhaust capacity at low sound levels
- White polymeric grille complements virtually any decor
- Torsion spring grille mounting - no tools necessary
- Metal grille kits (available separately)

Fan/Lights 679 657 HD80L

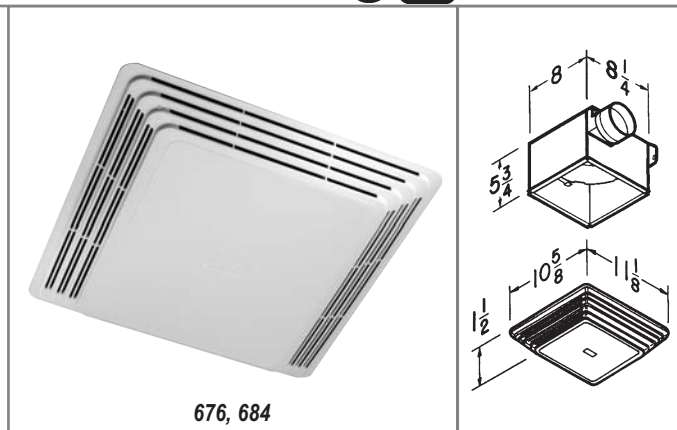
- Classic white polymeric grilles
- Plug-in, permanently lubricated motor
- Efficient polymeric fan impeller
- Mounting ears offer sturdy, quick installation
- Shatter resistant lighting lenses
- Recommended with optional two-function wall control
- UL Listed for use over bathtubs or showers when connected to a GFCI protected branch circuit
- Polymeric duct connectors with tapered sleeves for easier, positive ducting
- Type IC
- HD80L heavy duty unit lasts up to three times longer than residential units
- Enclosed motor design for continuous operation
- High-efficiency centrifugal blower wheel

Fan/Light/Heater 655 695

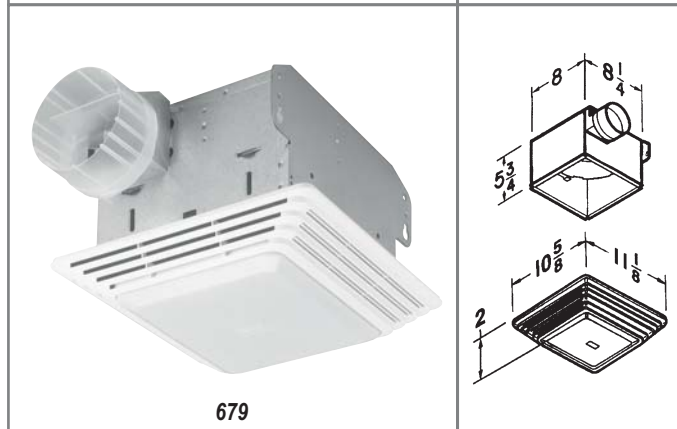
- Designer white polymeric grilles complement virtually any decor
- Fan, light and heater function independently or together
- 20-amp circuit required
- Choose two- or three-function wall controls as appropriate (available separately)
- Type IC

Fan/Light/Heater - Bulb 162

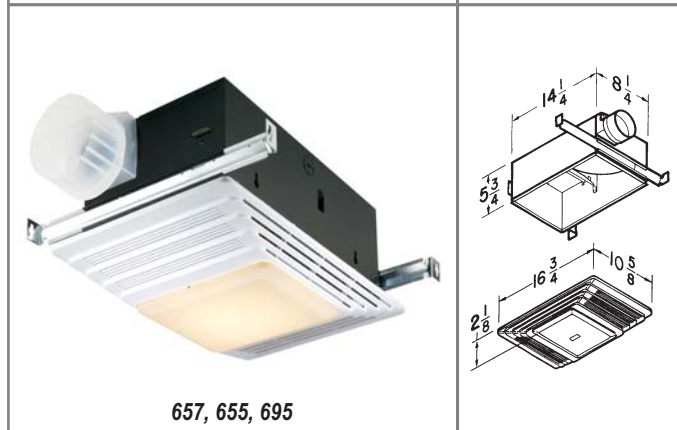
- Attractive white polymeric grilles
- Quiet, highly efficient polymeric blower wheels
- Dampers prevent backdrafts and eliminate mechanical noise
- Polymeric 4" round duct connectors with tapered sleeves simplify ducting
- Operate fan and heater bulbs independently or together
- Choose two-function control (available separately)
- Compact steel housings with adjustable mounting brackets with keyhole slots that span up to 24"
- 250-watt BR40 size infrared bulbs (not included)
- Type IC, UL Listed for 60° C wiring (retrofits)



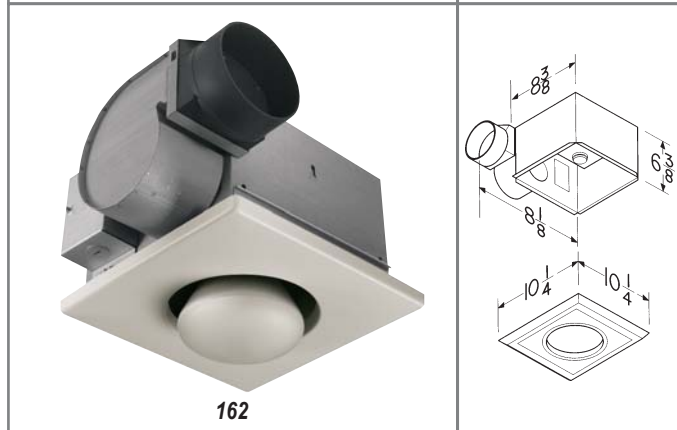
676, 684



679



657, 655, 695



162

Product No.	Description	Amps	Housing HxWxD	CFM/Sones	Duct Size	Heat Watts
676	Premium Fan	1.3	5 1/4" x 8" x 8 1/4"	110/4.0	4" RD	-
684	Premium Fan	0.5	5 1/4" x 8" x 8 1/4"	80/2.5	4" RD	-
679	Fan/Light	2.0	5 1/4" x 8" x 8 1/4"	70/3.5	4" RD	-
657	Fan/Light	2.0	5 3/4" x 14 1/4" x 8 3/4"	70/4.0	4" RD	-
HD80L	HD Fan/Light	0.6	5 1/4" x 8 1/4" x 8"	80/2.5	4" RD	-
655	Heater/Fan/Lt.	12.8	5 3/4" x 14 1/4" x 8 3/4"	70/4.0	4" RD	1300
695	Heater/Fan/Lt.	15.0	5 3/4" x 14 1/4" x 8 3/4"	100/4.5	4" RD	1300
162	Heater/Fan/Lt.	2.5	6 1/8" x 8 1/8" x 8 3/8"	70/3.5	4" RD	250

B

Ducting Accessories for Bath Fans



Ducting 401 407 475

401 is 3-1/4" x 10" duct, 407 is 7" round duct, in 24" galvanized sections. 475 is a 6" to 4" round duct transition reducer.

Ducting Kits 443

443 ducting kit includes 636 roof cap (same as 634, except for 3" or 4" round duct), 4" diameter metal duct connector, two duct clamps, 4" to 3" reducer and eight feet of 4" flexible vinyl ducting.

Roof & Wall Caps 634 639 641 642 649

634 roof cap is for 3-1/4" x 10" or up to 8" round duct, with built-in backdraft damper and bird screen, in a steel baked black enamel finish. Wall Caps have built-in backdraft damper and bird screen. 639 is steel baked black enamel finish, others are aluminum natural finish. Sizes below.

Product No.	Description	For Duct Size
401	Duct Section, Galvanized	3 1/4"x10"x24"
407	Duct Section, Round Galvanized	7" RDx24"
475	Duct Reducer, Round Galvanized	6" RD to 4" RD
443	Flexible Roof Vent Kit	3" or 4" RD
634	Steel Roof Cap - Black	3 1/4"x10" up to 8" RD
639	Steel Wall Cap - Black	3 1/4"x10"
641	Aluminum Wall Cap - Natural	6" RD
642	Aluminum Wall Cap - Natural	4" RD
649	Aluminum Wall Cap - Natural	3 1/4"x10"



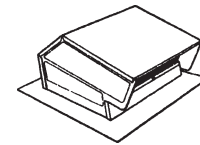
401



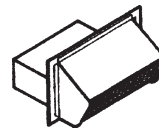
407



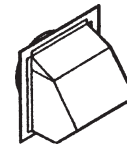
443



634



639, 649



641, 642

Wall Controls for Bath Fans



Two-Function Wall Controls 68W 68V

Two independent, 120V, 15 amp rocker switches (20 amp total). Fits single-gang box. For all Broan heaters and fans within amp ratings.

Three-Function Wall Controls 66W 66V

Three independent, 120V, 15 amp rocker switches (20 amp total). Fits single-gang opening. For all Broan heaters and fans within amp ratings.

Four-Function Wall Controls 77DW

Specially designed for use with QTX110HL Designer Series fan/light/heater. Four independent, 120V, 15/15/5 amp rocker switches (20 amp total). Single switch provides three settings for fan sensor (On/Auto/Off). Remaining switches for light/night-light. Fits single-gang opening.

Product No.	Description
68W	Two Function Decorator Wall Control White
68V	Two Function Decorator Wall Control White
66W	Three Function Decorator Wall Control White
66V	Three Function Decorator Wall Control Ivory
77DW	Four Function SensAire Decorator Wall Control White



68W



66W, 66V, 77DW