

Universal Design Barrier Free Shower Floor and Accessories



Universal Design Barrier Free Shower Floor BF3060 BF3065

This BF shower floor and ramp is compression molded using solid surface, impact-resistant Swanstone, and meets AMERICANS WITH DISABILITIES ACT January 1992 specifications. Features a slip-resistant, large pebble surface for safety and easy cleaning. Available with left or right hand drain.

Universal Design Barrier Free Shower Ramp BF1260

This strong, solid ramp is designed to comply with ADA slope and rise guidelines and eliminates the need to raise the shower floor.

Universal Design Folding Shower Seat BF2300R BF2300L

Two seat styles will fit back wall or either side wall.

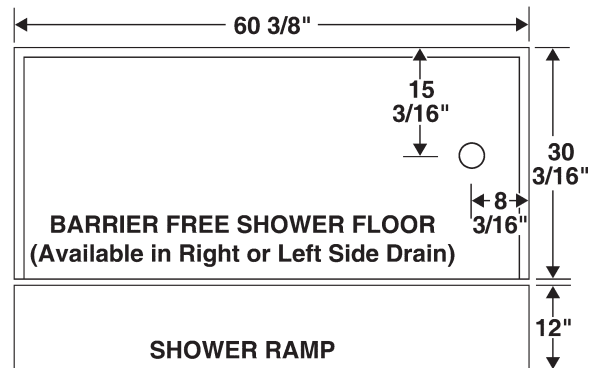
Universal Design L-Shaped Stainless Grab Bar BF2448



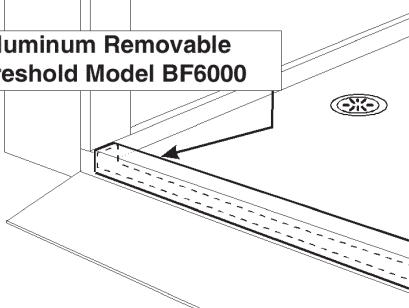
Universal Design Barrier Free Threshold BF6000

Designed with rugged aluminum construction, this helpful product provides an efficient water barrier when wheelchair access to the shower floor is not required, and quick removal when it is.

Universal Design Barrier Free Flexible Threshold BFFT



Aluminum Removable Threshold Model BF6000



Product No.	Description	Unit	Approximate Shipping Weight/Unit
BF3060-01	BF Floor, Left Drain, White	each	59 lbs.
BF3065-01	BF Floor, Right Drain, White	each	59 lbs.
BF1260-01	12"x60" BF Shower Ramp, White	each	25 lbs.
BF2300R	Right Hand Folding Shower Seat	each	21 lbs.
BF2300L	Left Hand Folding Shower Seat	each	21 lbs.
BF2448	L-Shaped Stainless Grab Bar	each	10 lbs.
BF6000	Aluminum Removable Threshold	each	5 lbs.
BFFT	Barrier Free Flexible Threshold	each	-

