

Swanstone Shower Wall Panels and Shower Wall Kits



Swanstone Classics

Swanstone Solid Surface Shower Walls and Kits

Swanstone has the widest range of wall panel sizes and colors to suit virtually any design opportunity. Available in one-panel, two-panel or three-panel combinations. Assemble authentic solid surface wall panels with trim kits and other accessories, shower floors, vanity tops and bowls to create a total Swanstone bath environment. Design your own bath environment with items featured on the Swanstone Shower Wall Selection page in this section.

Swanstone Shower Wall Kits are a complete kit with everything you need to design your shower: side and back panels, corner molding strips, corner soap dishes, adhesive, caulk and pressure sensitive tape. Wall panels are designed to fit most shower applications with no trimming required.

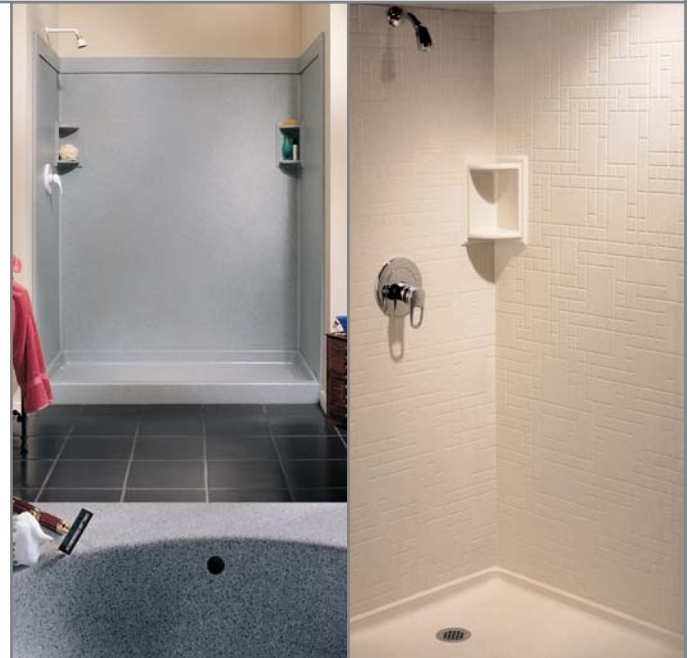
Swanstone Shower Wall Panels and Shower Wall Kits are available in White (01), Tahiti White (11), Bisque (18), Arctic Granite (35), Bone (37), Bermuda Sand (40), Almond Galaxy (46), Cornflower (63), Tahiti Desert (A0), Tahiti Sand (A1) and Tahiti Ivory (A9). Other Swanstone colors are available by special order.

Swanstone Solid Surface Decorative Shower Walls and Kits

We've taken our successful Swanstone Wall Panels and given them three-dimensional texture. Use these innovative designs as tub & shower walls, or get creative with inlays, backsplashes or even wainscoting. The textured panels will not mold or mildew and are ideal for remodeling. All panels are 36"W x 96"H (914mm x 2438mm) and can be cut to size.

Swanstone Decorative Shower Wall Kits are a complete kit with everything you need to design your shower: side and back panels, corner molding strips, batten strips (except in DK363672), corner soap dishes, adhesive, caulk and pressure sensitive tape. Wall panels are designed to fit most shower applications with no trimming required.

Swanstone Decorative Shower Wall Panels and Kits are available by special order only in almost all Swanstone colors.



Product No.	Description	Panel Size (Inch)	Unit	Approximate Shipping Weight/Unit
SS3672-1-##	Shower Wall 1 Panel	36x72	each	53 lbs.
SS3696-1-##	Shower Wall 1 Panel	36x96	each	84 lbs.
SS4896-1-##	Shower Wall 1 Panel	48x96	each	120 lbs.
SS6072-1-##	Shower Wall 1 Panel	60x72	each	90 lbs.
SS3072-2-##	Shower Wall 2 Panel	30x72	each	102 lbs.
SS3672-2-##	Shower Wall 2 Panel	36x72	each	112 lbs.
SS3696-2-##	Shower Wall 2 Panel	36x96	each	131 lbs.
SS3672-3-##	Shower Wall 3 Panel	36x72	each	132 lbs.
SK326072-##	Shower Wall Kit	32x60x72	each	160 lbs.
SK344872-##	Shower Wall Kit	34x48x72	each	140 lbs.
SK363672-##	Shower Wall Kit	36x36x72	each	110 lbs.
DWP3696##1##	Decorative Wall 1 Panel	36x96	each	78 lbs.
DWP3696##2##	Decorative Wall 2 Panel	36x96	each	130 lbs.
DK363672####	Decorative Wall Kit	36x36x72	each	110 lbs.
DK344872####	Decorative Wall Kit	34x48x72	each	140 lbs.
DK326072####	Decorative Wall Kit	32x60x72	each	160 lbs.

DK363672 Decorative Shower Wall Kit

SK363672 Shower Wall Kit

Pebble (PB)

Brushed Sq. (BS)

DK344872 Decorative Shower Wall Kit

SK344872 Shower Wall Kit

Geometric (GO)

Beadboard (BB)

DK326072 Decorative Shower Wall Kit

SK326072 Shower Wall Kit

Barcelona (BA)

Tangier (TN)

B

Swan High-Gloss Shower Wall Kits



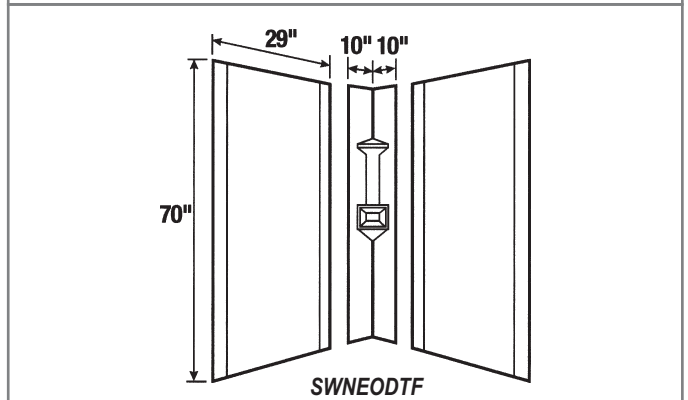
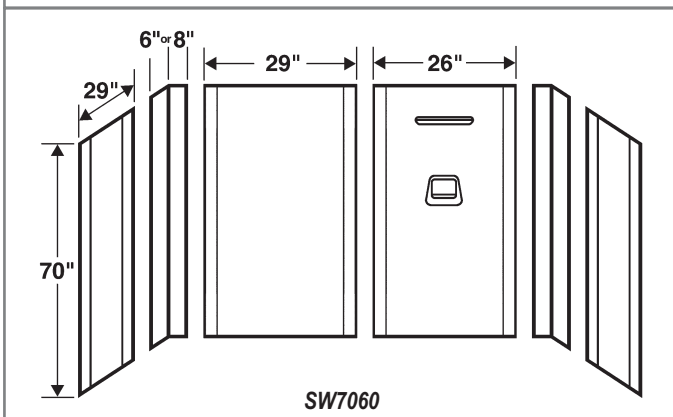
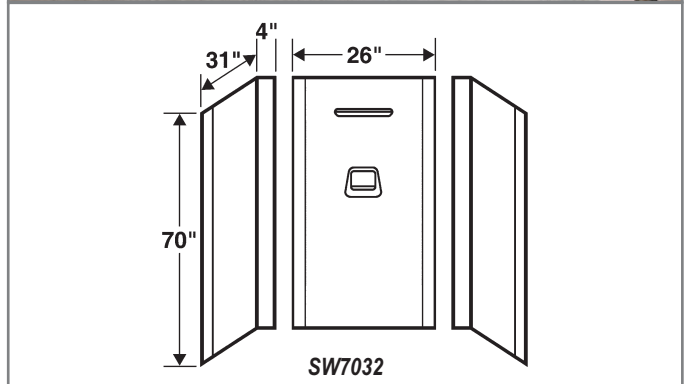
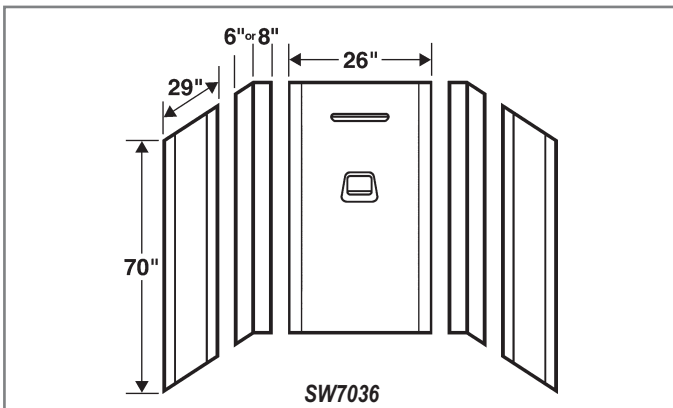
Everyday Essentials

High-Gloss Shower Walls SW7032 SW7036 SW7060 SWNEODTF

Ultra-bright, glossy surface comes from durable, baked-on finish. Includes all materials needed for installation.

For bases 32" W x 32" D or smaller (SW7032), 36" W x 36" D or smaller (SW7036), 30" x 36" D up to 36" x 60" W, 35-1/2" x 35-1/2" up to 38" x 38" (SWNEODTF), 70" high (all). 3-, 5- or 6-piece compression-molded fiberglass units with a high-gloss, smooth surface.

All kits include one back (corner for SWNEODTF) panel with molded-in soap dish and shampoo shelf (shelves for SWNEODTF), factory installed pressure-sensitive tape, three (two for SWNEODTF) tubes of adhesive, one tube of caulk and complete installation instructions. SW7032 kit adds two end panels. SW7036 kit adds two corner and two flat side panels. SW7060 kit adds two right angle, two flat side and one flat extension panels. SWNEODTF kit adds two flat side panels. Available in White (01). Bisque (18) and Bone (37) are available by special order, except where noted.



Product No.	Description	Unit	Approximate Shipping Weight/Unit
SW7032-##	Swan HG Shower Wall Kit, Solid	each	44 lbs.
SW7036-##	Swan HG Shower Wall Kit, Solid	each	53 lbs.
SW7060-##	Swan HG Shower Wall Kit, Solid	each	68 lbs.
SWNEODTF-01	Swan HG Shower Wall Kit, White	each	40 lbs.
SWNEODTF-37	Swan HG Shower Wall Kit, Bone	each	40 lbs.

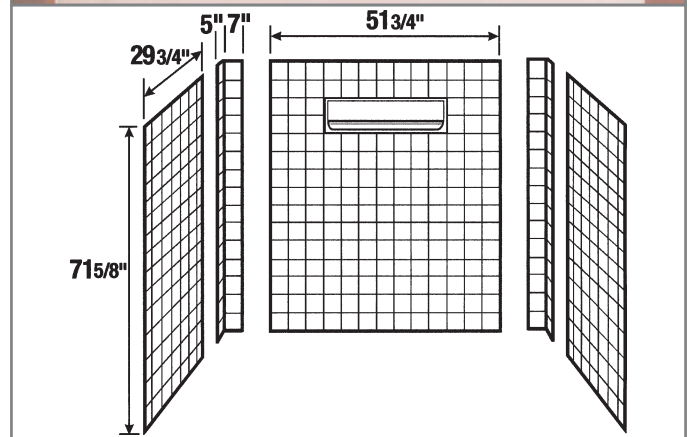
SwanTile Shower Wall Kits



Swanstone Classics SwanTile Shower Wall Kits TI-7260

The SwanTile Shower Wall Kits feature the elegant look of ceramic tile with no grout to clean. It is made of Veritek with no surface coating to chip or crack. A variety of sizes are available for use with Swanstone, Veritek and other standard shower floors. Available in White (01) and Bone (37). Bisque (18) is available by special order.

The TI-7260 is designed to fit wall areas 53-1/4" to 64-3/4" wide, 31" to 36" deep and 71-5/8" high. It is a 5-piece compression molded fiberglass unit with molded-in color. All kits include one back panel with molded-in soap dish, two corner panels, two side panels, factory installed pressure-sensitive tape, five tubes of adhesive, one tube of caulk and complete installation instructions.



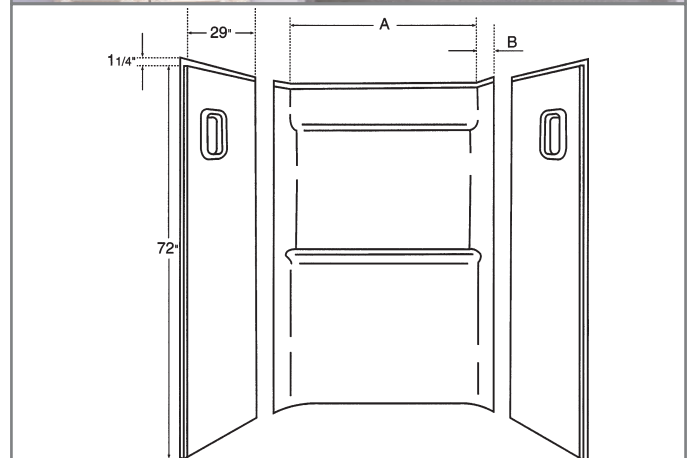
Product No.	Description	Unit	Approximate Shipping Weight/Unit
TI-7260-01	SwanTile Shower Wall, White	each	95 lbs.
TI-7260-18	SwanTile Shower Wall, Bisque	each	95 lbs.
TI-7260-37	SwanTile Shower Wall, Bone	each	95 lbs.
VIDEO-TILE	How To Install SwanTile	each	-

Veritek Shower Alcove Walls



Everyday Essentials Veritek Shower Alcove Walls

Sturdy interlocking wall system nails directly to studs for fast installation and one-piece appearance. No surface coating to chip or crack. Veritek Shower Alcove Walls fit only Swanstone and Veritek Shower Floors. 1-1/2" additional area required on outer edges of wall panels to accommodate nail-up flange. Compression molded composite unit with molded-in color and natural gloss surface. Kit includes one right side panel, one left side panel, one back panel with six factory installed wall mounting clips and complete installation instructions. Available in White (01), Bisque (18), Bone (37), Bermuda Sand (40), Gray Granite (42) and Tahiti Desert (A0).



Product No.	Description	Panel Size (A"xB")	Unit	Approximate Shipping Weight/Unit
SA3232-01	V. Shower Alcove White	32x32	each	66 lbs.
SA3232-##	V. Shower Alcove Solid	32x32	each	66 lbs.
SA3232-##	V. Shower Alcove Granite	32x32	each	66 lbs.
SA3448-01	V. Shower Alcove White	34x48	each	106 lbs.
SA3448-##	V. Shower Alcove Solid	34x48	each	106 lbs.
SA3448-##	V. Shower Alcove Granite	34x48	each	106 lbs.
SA3636-01	V. Shower Alcove White	36x36	each	84 lbs.
SA3636-##	V. Shower Alcove Solid	36x36	each	84 lbs.
SA3636-##	V. Shower Alcove Granite	36x36	each	84 lbs.
SA38NEO-01	V. Shower Alcove White	38x38	each	55 lbs.
SA38NEO-##	V. Shower Alcove Solid	38x38	each	55 lbs.
SA38NEO-##	V. Shower Alcove Granite	38x38	each	55 lbs.