

Swanstone Tub Wall Kits



Metropolitan Collection

Bring out the real warmth and comfort of any bathroom with the Swanstone authentic solid surface shower wall. This product is made of solid, homogeneous material that is mold and mildew resistant. It does not require any special care and is economically priced to fit most construction and remodeling budgets. These easy-to-clean wall systems fit most standard tub enclosures and are simple to install. Swan also offers a variety of Swanstone wall panel sizes to accommodate virtually any design opportunity. Panels can also be combined to work with your specific installation requirements. Swanstone tub walls are protected by our limited lifetime warranty.

Three Panel Bathtub Wall Kit SS60-3

Designed to fit a standard 30" x 60" bathtub, this kit features a single seamless back panel and two side panels. It is available in 60" height and includes two corner molding strips. Trim kits are available in matching and other colors. Soap dishes, adhesive and caulk are not included.

The SS60-3 kit is a five piece compression molded unit with a smooth surface. SS60-3 kit includes one flat back panel with two flat side panels, two corner molding strips and complete installation instructions. Available in White (01), Tahiti White (11), Bisque (18), Bone (37), Bermuda Sand (40), Almond Galaxy (46), Tahiti Desert (A0), Tahiti Sand (A1) and Tahiti Ivory (A9).

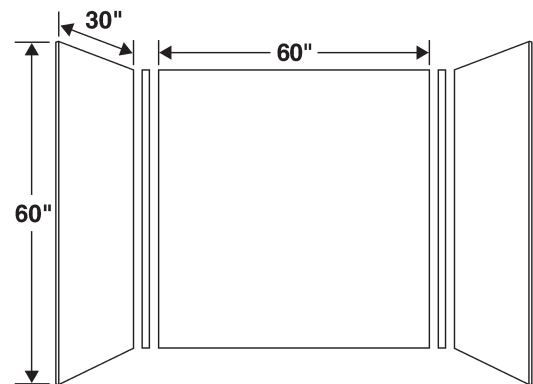
Three Panel Bathtub Wall Kit SS72-3

Designed to fit a standard 30" x 60" bathtub, this kit features a single seamless back panel and two side panels. It is available in 72" height and includes two corner molding strips. Trim kits are available in matching and other colors. Soap dishes, adhesive and caulk are not included.

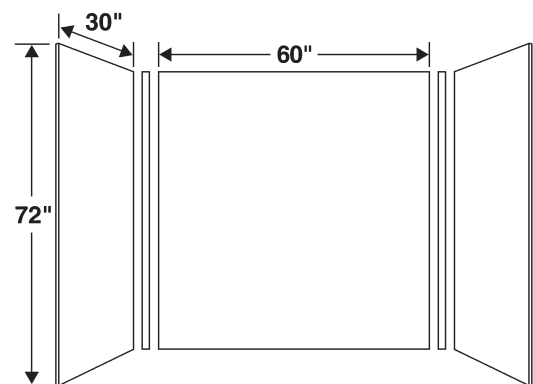
The SS72-3 kit is a five piece compression molded unit with a smooth surface. SS72-3 kit includes one flat back panel with two flat side panels, two corner molding strips and complete installation instructions. Available in White (01), Tahiti White (11), Bisque (18), Bone (37), Bermuda Sand (40), Almond Galaxy (46), Tahiti Desert (A0), Tahiti Sand (A1) and Tahiti Ivory (A9).

Video "How To Install Swanstone Bathtub Wall Panel Systems and Trim Kits: SS60-3/TK6072"

Features the SS60-3 and TK6072, but many of the techniques used are the same ones used on any Swanstone wall product. See the installation instructions for each product for specific differences. Running time: 16 minutes, 40 seconds.



SS60-3



Product No.	Description	To Fit Tub Size	Unit	Approximate Shipping Weight/Unit
SS60-3-##	Bath Tub Kit, Solid	30"x60"	each	135 lbs.
SS60-3-##	Bath Tub Kit, Tahti	30"x60"	each	135 lbs.
SS72-3-##	Bath Tub Kit, Solid	30"x60"	each	160 lbs.
SS72-3-##	Bath Tub Kit, Tahiti	30"x60"	each	160 lbs.
VIDEO-STONE	How To Install Swanstone Bathtub Wall Panel Systems			

B

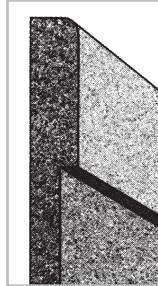
Swanstone Tub Wall Kit with Integral Trim



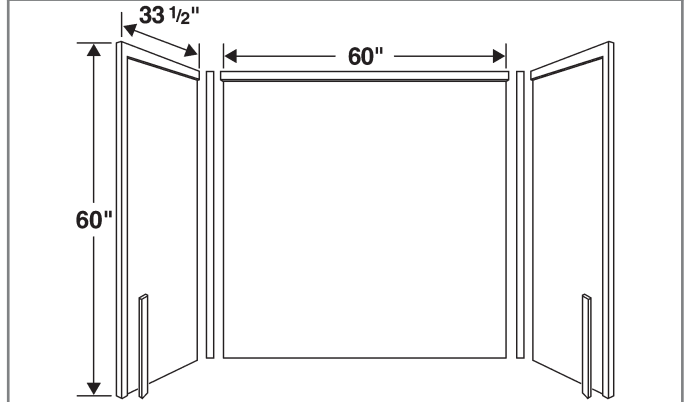
Metropolitan Collection

Three Panel Bathtub Wall Kit SSIT-60-3

The SSIT-60-3 authentic solid surface bathtub kit has the trim seamlessly molded into the panels for ease of installation. This innovative design eliminates the need for a separate trim kit.



The SSIT-60-3 kit is a seven piece compression molded unit with a smooth surface. It is designed to fit a 33-1/2" D x 60" W tub area. SSIT-60-3 kit includes one back panel with integral trim, two side panels with integral trim, two bathtub apron strips, two corner moldings and complete installation instructions.



Product No.	Description	To Fit Tub Size	Unit	Approximate Shipping Weight/Unit
SSIT-60-3-01	Bath Tub Kit, White	33"x60"	each	145 lbs.

Swanstone Tub Wall Kit



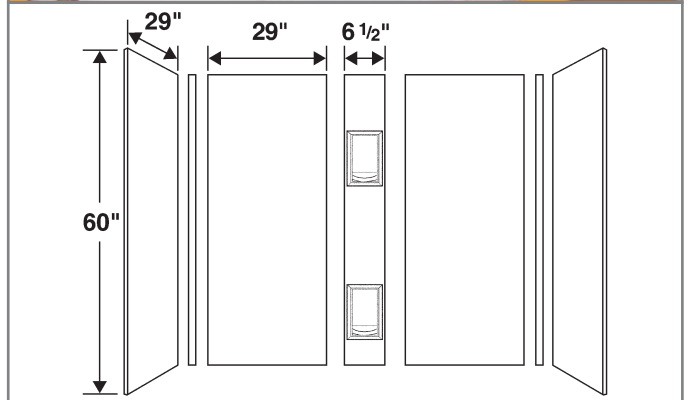
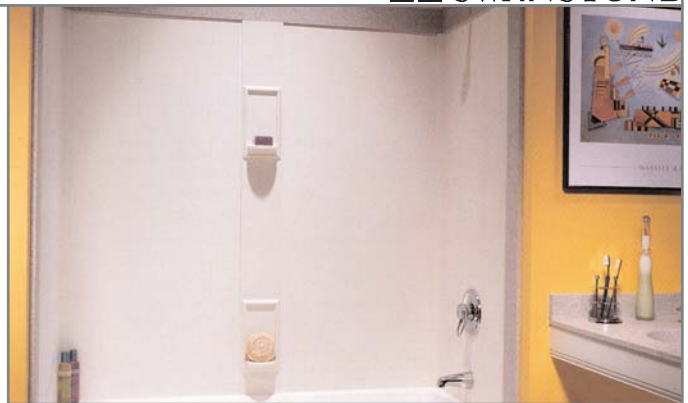
Swanstone Classics

Five Panel Bathtub Wall Kit SS60-5

Accentuate the look of your next bath project with this Swanstone wall panel kit. The middle back panel on this authentic solid surface kit features two soap shelves. It is designed to fit a 30" W x 60" D tub area, 60" high. Shown here with the TK6072 Trim Kit.

The SS60-5 kit is a seven piece compression molded unit with a smooth surface. SS60-5 kit includes one back panel with two molded-in soap and shampoo shelves, four flat wall panels, two corner molding strips, pressure-sensitive tape applied to all outer edges, three tubes of adhesive, one tube of color-coordinated caulk and complete installation instructions.

Available in White (01), Tahiti White (11), Bisque (18), Arctic Granite (35), Bone (37), Bermuda Sand (40), Almond Galaxy (46), Cornflower (63), Tahiti Desert (A0), Tahiti Sand (A1) and Tahiti Ivory (A9).



Product No.	Description	To Fit Tub Size	Unit	Approximate Shipping Weight/Unit
SS60-5-##	Tub Kit, Solid	30"x60"	each	121 lbs.
SS60-5-##	Tub Kit, Tahiti	30"x60"	each	121 lbs.
SS60-5-##	Tub Kit, Granite	30"x60"	each	121 lbs.

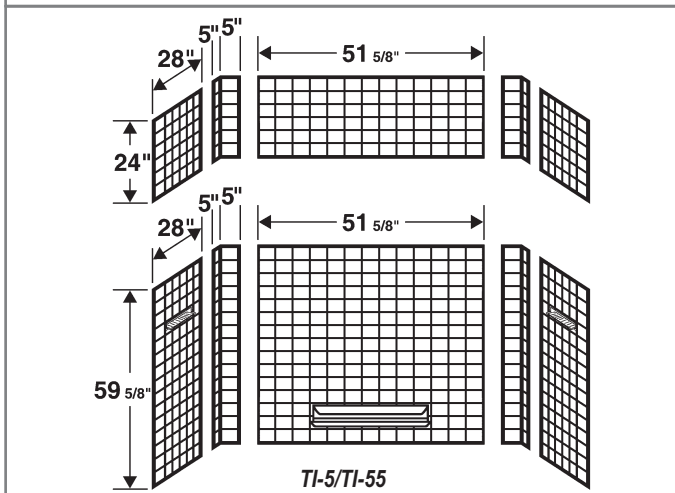
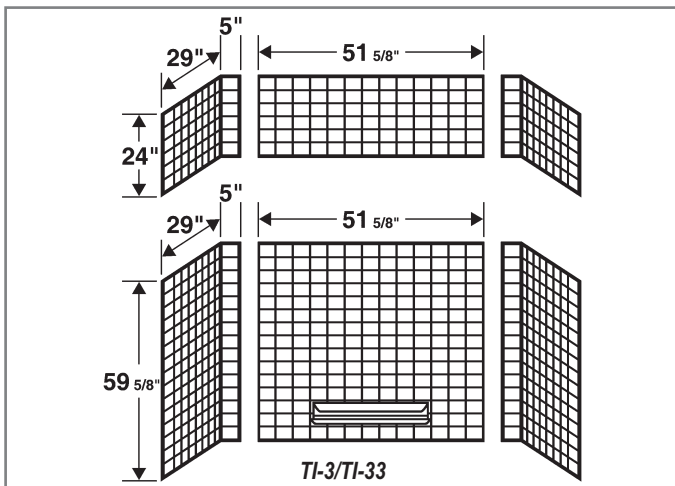
SwanTile Tub Wall Kits



Swanstone Classics SwanTile TI-3/TI-33 (right) TI-5/TI-55 (lower right)

This product looks and feels like ceramic, but is easier to install and maintain. Designed to be applied over any solid surface, this tubwall never develops the typical cracks or moldy grout lines of ceramic tile, never needs grouting and does not chip or scratch. The TI-33 and TI-55 extension kits extend the TI-3 and TI-5 tubwalls an additional two feet.

For tub area 53" to 60" wide, 29" to 32" deep and 59-5/8" high. 3- and 5-piece compression molded fiberglass units with molded-in color. All kits include one back panel with molded-in soap dish, two end/corner panels, pressure-sensitive tape applied to all outer edges, three tubes of adhesive, one tube of color coordinated caulk and complete installation instructions. The TI-5 kit also includes two side panels with molded-in convenience shelves, two apron strips and an additional tube of adhesive. Available in White and Bone.



Product No.	Description	Unit	Approximate Shipping Weight/Unit
TI-3-01	SwanTile Tub Wall, White	each	67 lbs.
TI-3-37	SwanTile Tub Wall, Bone	each	67 lbs.
TI-33-01	SwanTile Extension, White	each	26 lbs.
TI-5-01	SwanTile Tub Wall, White	each	76 lbs.
TI-5-37	SwanTile Tub Wall, Bone	each	76 lbs.
TI-55-01	SwanTile Extension, White	each	30 lbs.
VIDEO-TILE	How To Install SwanTile	each	-



Video "How To Install SwanTile Showerwalls"

Features the T17260, but may be used for all of the SwanTile Showerwall kits: T17236, T17248 and TINEODTF. Running time: 12 minutes.



B

Swan High-Gloss Tub Wall Kit



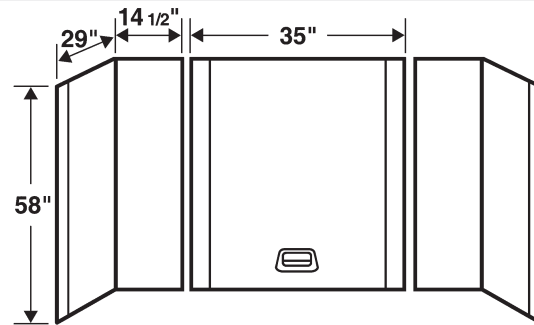
Everyday Essentials Tub Wall Kit RM58

This three panel tub wall system is adjustable to fit most standard tub areas and can even be installed over old ceramic tile. Made of durable fiberglass resins with a lustrous polyurethane coating, the RM58 comes complete with seamless corners for cleaning ease and a molded-in soap dish.

For tub areas 29" to 30" deep and up to 60" wide or smaller. Three piece compression molded fiberglass unit with high gloss smooth surface. The kit includes one back panel with molded-in soap dish, two end panels, factory installed pressure-sensitive tape, three tubes of adhesive, one tube of color coordinated caulk and complete installation instructions. Available in White, Bisque and Bone. Beige, Pink, Blue and Gray are available by special order.

Video "How To Install Swan Fiberglass Tubwalls: The RM58"

Features the installation of the RM58, but many of the techniques used can be applied to any of Swan's fiberglass wall products. Running time: 9 minutes.



Product No.	Description	Unit	Approximate Shipping Weight/Unit
RM58-01	Swan HG Tub Wall Kit, White	each	45 lbs.
RM58-18	Swan HG Tub Wall Kit, Bisque	each	45 lbs.
RM58-37	Swan HG Tub Wall Kit, Bone	each	45 lbs.
VIDEO-FIBER	How To Install Swan RM58	each	-

Veritek Tub Wall Kit

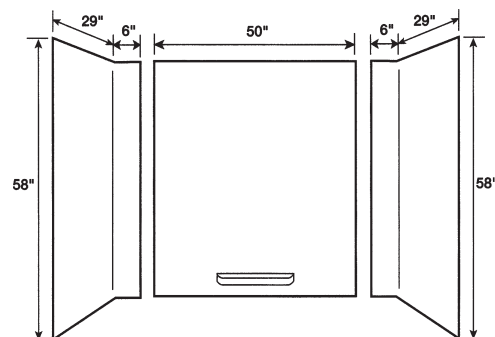


Everyday Essentials Veritek Tub Wall Kit GN58

This three panel tub wall system is made of Veritek with no surface coating to chip or crack. An affordable wall system in ten solid and granite colors (some are special order). ADA compliant for grab bar installation. The kit comes with all needed installation materials.

For tub areas 30" deep x 60" wide or smaller, 58" high. Three piece compression molded composite unit with molded-in color and a natural gloss surface. The kit includes one back panel with molded-in soap dish, two end panels, factory installed pressure-sensitive tape, three tubes of adhesive, one tube of color coordinated caulk and complete installation instructions.

Available in White (01), Bisque (18), Bone (37), Bermuda Sand (40), Gray Granite (42), Rose Granite (43), Country Blue Granite (44), Mocha Galaxy (45), Tahiti Desert (A0) and Tahiti Evergreen (A7).



Product No.	Description	Unit	Approximate Shipping Weight/Unit
GN58-##	Veritek Tub Wall Kit, Solid	each	57 lbs.
GN58-##	Veritek Tub Wall Kit, Tahiti	each	57 lbs.
GN58-##	Veritek Tub Wall Kit, Aggregate	each	57 lbs.

Swan High-Gloss Tub Wall Kit

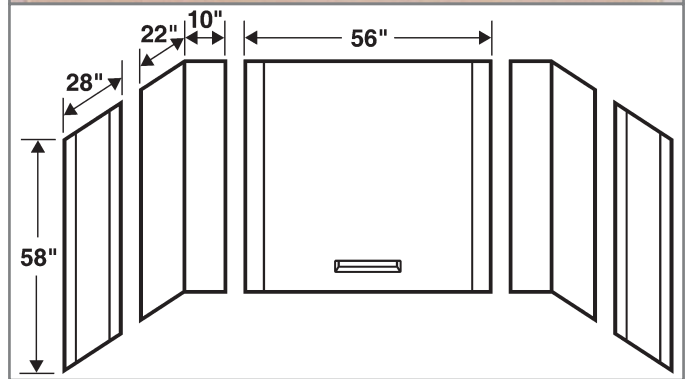


Everyday Essentials Tub Wall Kit WW6000

A water and mold resistant five-piece tub wall kit made of heavy gauge fiberglass with high gloss polyurethane finish. With this unit, there is never a need to worry about water penetration or mold. This tub wall unit is designed especially for use with whirlpool tubs. Comes with a 20 year limited warranty.

For tub areas 30" to 48" deep, 60" to 72" wide and 58" high. Five piece compression molded fiberglass unit with high gloss smooth surface. The kit includes one center panel with molded-in soap dish, two right angle corner panels, two side panels, pressure-sensitive tape applied to all outer edges, three tubes of adhesive, one tube of color coordinated caulk and complete installation instructions.

Available in White, Bisque and Bone. Beige, Pink, Blue and Gray are available by special order.



Product No.	Description	Unit	Approximate Shipping Weight/Unit
WW6000-01	Swan HG Tub Wall Kit, White	each	50 lbs.
WW6000-18	Swan HG Tub Wall Kit, Bisque	each	50 lbs.
WW6000-37	Swan HG Tub Wall Kit, Bone	each	50 lbs.

Swan High-Gloss Tub Wall Kit

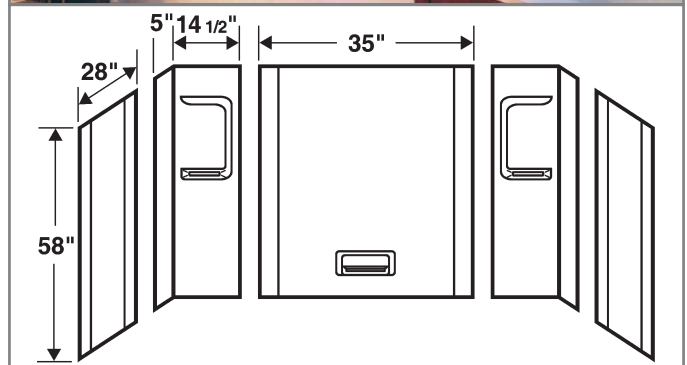


Everyday Essentials Tub Wall Kit TW32

This five panel tub wall system has an overlap system that makes it adjustable to fit most standard tub sizes. It features three molded-in soap and bottle shelves and two front apron strips. Caulk and adhesive are included in the kit.

For tub areas 29" to 32" deep, 57" to 62" wide and 58" high. Five piece compression molded fiberglass unit with high gloss smooth surface. The kit includes one back panel with molded-in soap dish, two right angle corner panels with molded-in shampoo shelves, two flat side panels, two apron strips, pressure-sensitive tape applied to all outer edges, three tubes of adhesive, one tube of color coordinated caulk and complete installation instructions.

Available in White, Bisque and Bone. Beige, Pink, Blue and Gray are available by special order.



Product No.	Description	Unit	Approximate Shipping Weight/Unit
TW32-01	Swan HG Tub Wall Kit, White	each	50 lbs.
TW32-18	Swan HG Tub Wall Kit, Bisque	each	50 lbs.
TW32-37	Swan HG Tub Wall Kit, Bone	each	50 lbs.

B

Veritek Tub Wall Kit

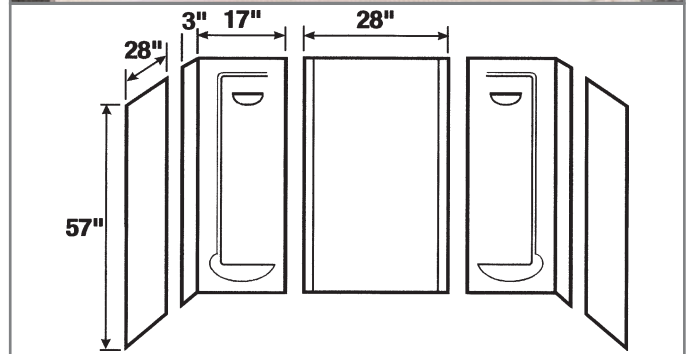


Everyday Essentials Veritek Tub Wall Kit TF57

This five panel tub wall system has a softly textured surface that's both durable and easy to clean. It can be installed over existing ceramic tile or any solid surface. This affordable wall kit has many upgrade features at a value price. The kit comes with all needed installation materials.

For tub areas 28" to 30" deep, 58" to 60" wide and 57" high. Five piece compression molded fiberglass unit with softly textured surface. The kit includes one back panel, two side panels, pressure-sensitive tape applied to all outer edges, three tubes of adhesive, one tube of color coordinated caulk and complete installation instructions.

Available in White. Bisque and Bone are available by special order.



Product No.	Description	Unit	Approximate Shipping Weight/Unit
TF57-01	Veritek Tub Wall Kit, White	each	58 lbs.
TF57-18	Veritek Tub Wall Kit, Bisque	each	58 lbs.
TF57-37	Veritek Tub Wall Kit, Bone	each	58 lbs.

Window Trim Kits



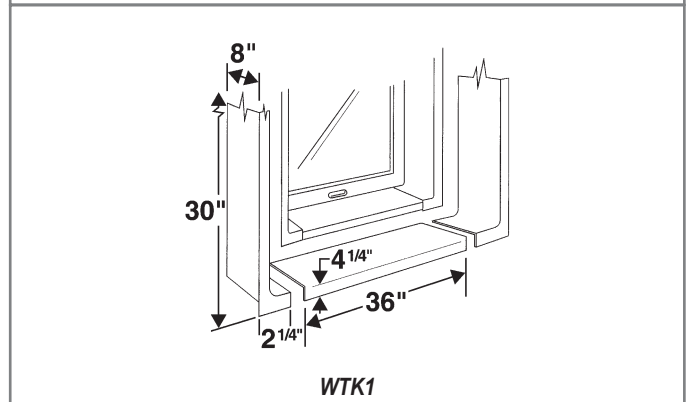
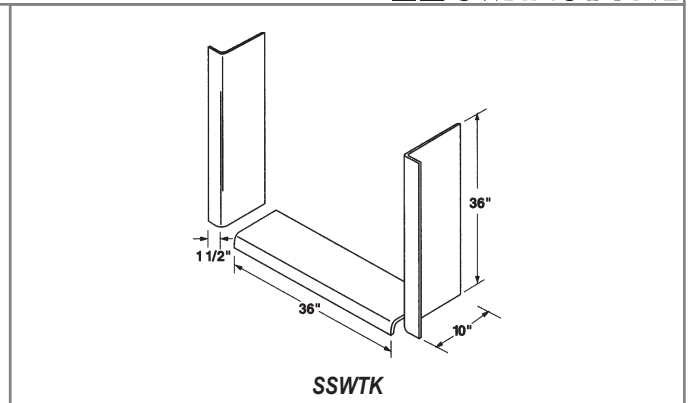
Swanstone Window Trim Kit SSWTK

Constructed of Swanstone solid surface material, with the same high quality as the Swan High Gloss Window Trim Kit. Additional sills are available. For window sill applications up to 36" wide, 10" deep. The kit includes one horizontal Swanstone sill panel, two vertical Swanstone jamb panels, factory applied pressure-sensitive tape, one tube of adhesive, one tube of caulk and complete installation instructions. Available in White. Individual pieces can be ordered with product number TK03610TP-##.

Swan High Gloss Window Trim Kit WTK1

Constructed of fiberglass, the Swan Window Trim Kit uses moisture proof, sealed seams that work with almost any window. The smooth surface resists abrasions and comes in a high-gloss finish. Optional WK1009 extension divider kit (special order) and additional sills are available.

For window sill applications up to 36" wide, 8" deep. The kit includes one horizontal fiberglass sill panel, two vertical fiberglass jamb panels, factory applied pressure-sensitive tape, one tube of adhesive, one tube of caulk and complete installation instructions. Available in White, Bisque and Bone.



Product No.	Description	Unit	Approximate Shipping Weight/Unit
SSWTK-01	Window Trim Kit SS, White	each	30 lbs.
WTK1-01	Window Trim Kit HG, White	each	9 lbs.
WTK1-18	Window Trim Kit HG, Bisque	each	9 lbs.
WTK1-37	Window Trim Kit HG, Bone	each	9 lbs.