

Fastcap Cover Caps




Fastcap PSA Cover Caps

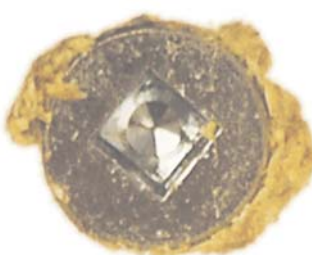
The finishing touch is a professional job.... Fastcap is a self-adhesive cover cap made of durable PVC or unfinished/prefinished real wood veneers. 70 COLORS! It is available for a wide variety of applications from covering RTA fittings to trimming plumbing cut outs in sink cabinets.

FastCap offers 30 shapes of Cover Caps to fit your needs. We are dedicated to solving your problems and improving our product, so if there is a shape you are looking for that we don't carry we will do everything possible to meet your needs.


And with FastCap's custom color program, Fastcaps are available in any color to match almost any material! We can match most laminates to help you finish your job.




Problem



Got holes?



Fastcap's Solution



We've got caps!

Product #	Description	Diameter	Qty Per Box
FCMB916AL	FC PVC Cover Caps Mini Box Almond	9/16"	260
FCMB916AW	FC PVC Cover Caps Mini Box Antique White	9/16"	260
FCMB916BL	FC PVC Cover Caps Mini Box Black	9/16"	260
FCMB916HM	FC PVC Cover Caps Mini Box Hardrock Maple	9/16"	260
FCMB916LG	FC PVC Cover Caps Mini Box Folkstone Gray	9/16"	260
FCMB916WH	FC PVC Cover Caps Mini Box White	9/16"	260
FCSP916WH	FC PVC Cover Caps St. Box White	9/16"	1040

One-Piece Connector

Confirmat PAS Connector L36452297P

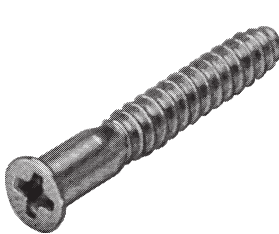
Precision Assembly System (PAS) one-piece connector with PZ 3 cross-slot drive. It has 3mm head hole diameter, 5mm drilling diameter, 7mm shank diameter, 10mm head diameter. Finish is galvanized steel.

Unita Connectors L36462195 L36462293

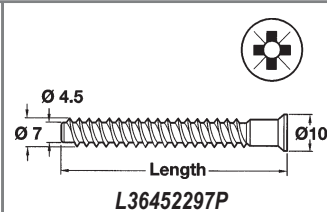
One-piece Unita connectors with Hex 4 drive, fitting a 5mm pilot hole. It has 5mm drilling diameter, 6.3mm shank diameter, 10mm head diameter. Finish is zinc.

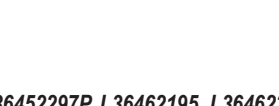
Trim Cap for Confirmat or Unita Connector L14511804P

Trim cap, press-fit in Confirmat or Unita head, for PZ 3 cross-slot and Hex 4 drives. Finish is white plastic.

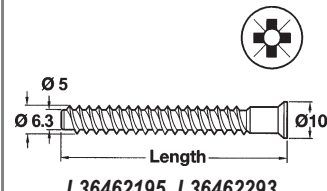


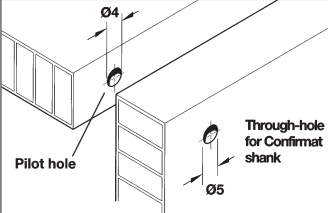
L36452297P, L36462195, L36462293



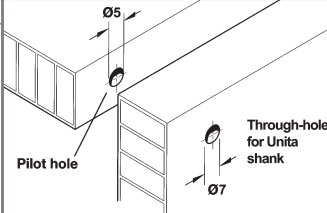


L36462195, L36462293




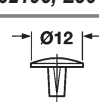


L36452297P



L36462195, L36462293





Product #	Description	Length	Qty Per Box
L36452297P	Confirmat Connector ZIP	50mm	1500
L36462195	Confirmat Connector ZIP	40mm	2000
L36462293	Confirmat Connector ZIP	50mm	2000
L14511804P	Trim Cap 12mm White	-	500

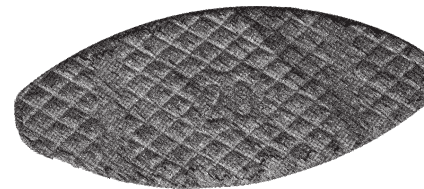
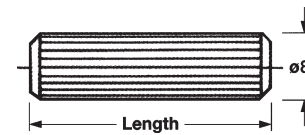
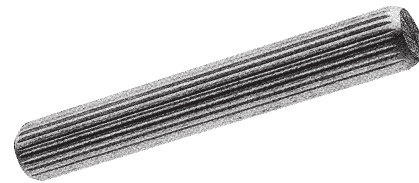
Wood Connectors

Wood Dowels L10603338P L10603374P

Calibrated beechwood dowels are manufactured from hardwood, which has proven to make the most durable and lasting dowel pin. They feature a fluted design for better gluing and a stronger connection. 8mm diameter.

Wood Biscuits L10699165P L10699174P

Die-cut from beechwood planks, these biscuit assemblers (or wood joining plates) are compressed for strength and cross-hatched to improve glue bonding. When used with any water-based glue, the biscuit swells within the joint providing excellent holding power. 4mm thickness in three sizes.



Product #	Description	Length (mm)	Height (mm)	Qty Per Box
L10603338P	Hardwood Dowel	30	-	500
L10603374P	Hardwood Dowel	40	-	500
L10699165P	Wood Biscuit Size 0	45	15	1000
L10699165P	Wood Biscuit Size 10	55	19	1000
L10699174P	Wood Biscuit Size 20	60	23	1000

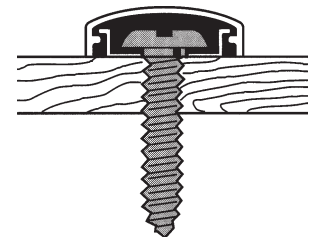
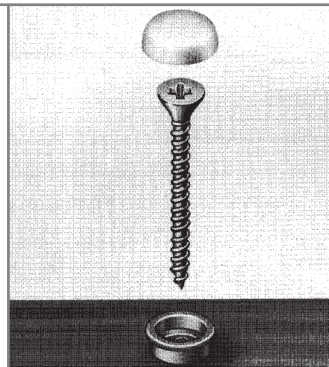
Cover Caps

Snap Cap with Washer L14516809 L14518134

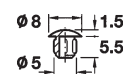
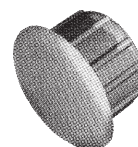
For screws up to 4mm diameter. Finish is white plastic.

Cover Cap L14520812P

Ribbed or slightly tapered for tighter grip. Finish is RAL9010 white plastic.



L14516809, L14518134



L14520812P

L14520812P

Product #	Description	Qty Per Box
L14516809	Snap Cap #8 White	5000
L14518134	Snap Cap Washer #8 Panhead Screw White	5000
L14520812P	Cover Cap White 5mm Blind Hole	500