

Fastcap Cover Caps




Fastcap PSA Cover Caps

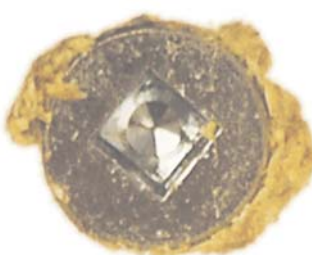
The finishing touch is a professional job.... Fastcap is a self-adhesive cover cap made of durable PVC or unfinished/prefinished real wood veneers. 70 COLORS! It is available for a wide variety of applications from covering RTA fittings to trimming plumbing cut outs in sink cabinets.

FastCap offers 30 shapes of Cover Caps to fit your needs. We are dedicated to solving your problems and improving our product, so if there is a shape you are looking for that we don't carry we will do everything possible to meet your needs.


And with FastCap's custom color program, Fastcaps are available in any color to match almost any material! We can match most laminates to help you finish your job.




Problem



Got holes?



Fastcap's Solution



We've got caps!

Product #	Description	Diameter	Qty Per Box
FCMB916AL	FC PVC Cover Caps Mini Box Almond	9/16"	260
FCMB916AW	FC PVC Cover Caps Mini Box Antique White	9/16"	260
FCMB916BL	FC PVC Cover Caps Mini Box Black	9/16"	260
FCMB916HM	FC PVC Cover Caps Mini Box Hardrock Maple	9/16"	260
FCMB916LG	FC PVC Cover Caps Mini Box Folkstone Gray	9/16"	260
FCMB916WH	FC PVC Cover Caps Mini Box White	9/16"	260
FCSP916WH	FC PVC Cover Caps St. Box White	9/16"	1040

One-Piece Connector

Confirmat PAS Connector L36452297P

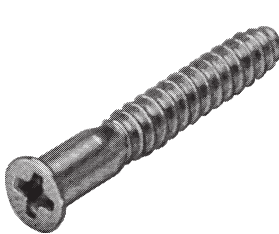
Precision Assembly System (PAS) one-piece connector with PZ 3 cross-slot drive. It has 3mm head hole diameter, 5mm drilling diameter, 7mm shank diameter, 10mm head diameter. Finish is galvanized steel.

Unita Connectors L36462195 L36462293

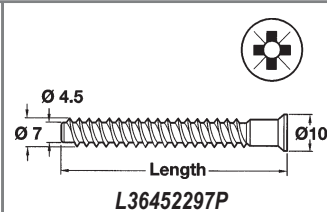
One-piece Unita connectors with Hex 4 drive, fitting a 5mm pilot hole. It has 5mm drilling diameter, 6.3mm shank diameter, 10mm head diameter. Finish is zinc.

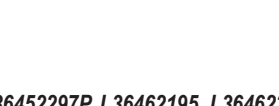
Trim Cap for Confirmat or Unita Connector L14511804P

Trim cap, press-fit in Confirmat or Unita head, for PZ 3 cross-slot and Hex 4 drives. Finish is white plastic.

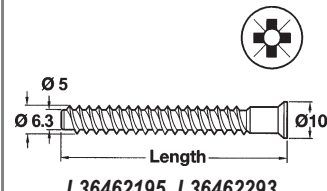


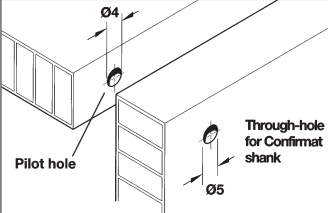
L36452297P, L36462195, L36462293



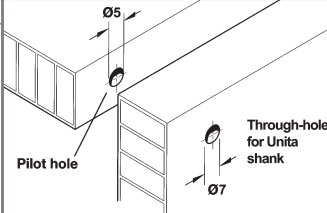


L36462195, L36462293




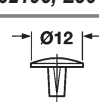


L36452297P



L36462195, L36462293





Product #	Description	Length	Qty Per Box
L36452297P	Confirmat Connector ZIP	50mm	1500
L36462195	Confirmat Connector ZIP	40mm	2000
L36462293	Confirmat Connector ZIP	50mm	2000
L14511804P	Trim Cap 12mm White	-	500

Keku Fasteners

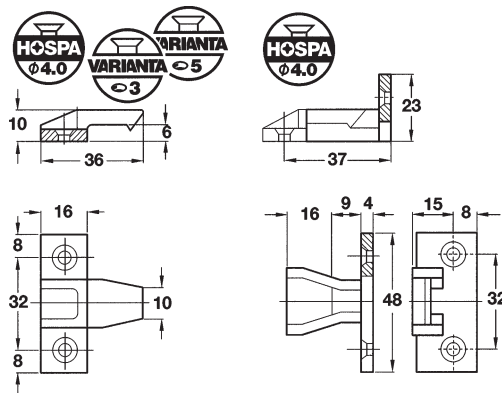
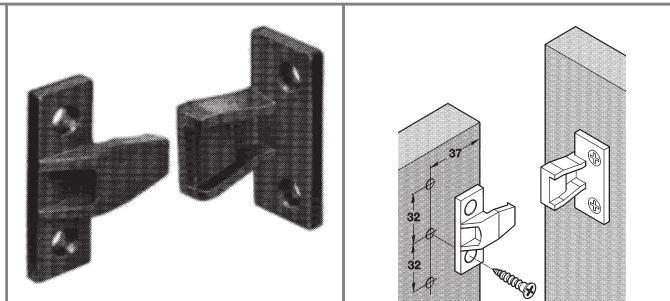
Designed for quick, easy use during in-house or on-site assembly, Keku fasteners are not visible from outside and requires no tools for assembly.

Keku Push-Fit Fastener L36260413P

The Keku push-fit fastener includes screw-mounted frame element and screw-mounted panel element. Finish is black plastic.

Keku Press-Fit Fastener L36260422P

The Keku press-fit fastener includes screw-mounted frame element with Varianta special screws for 3mm or 5mm diameter holes and screw-mounted panel element with Hospa particle board screws. Finish is black plastic.



Product #	Description	Qty Per Box
L36260413P	Keku Push-Fit Fastener Pair, Black	50
L36260422P	Keku Press-Fit Fastener Pair, Black	50

Wall Anchor

E-Z Anchor® L15128125P

The E-Z Anchor is a one-piece self-drilling anchor. It has a fast, easy one-step installation requiring only a #2 phillips screwdriver. It's also removable. Unlike other mounting hardware, you can take the E-Z Anchor out of the wall as easily as you put it in.

This anchor also boasts a secure fit, as the deep threads hold fast in 3/8", 1/2" or 5/8" gypsum wallboard. It holds up to 70 pounds shear strength (depending on material strength). The unique point cuts neatly and clearly into the wall and the head sits flush. E-Z Anchor is also corrosion-resistant, so it will not rust, stain or streak. Finish is heavy duty zinc-plated steel.



Product #	Description	Qty Per Box
L15128125P	E-Z Anchor for #8 Screw ZIP	100