

### Keku Fasteners

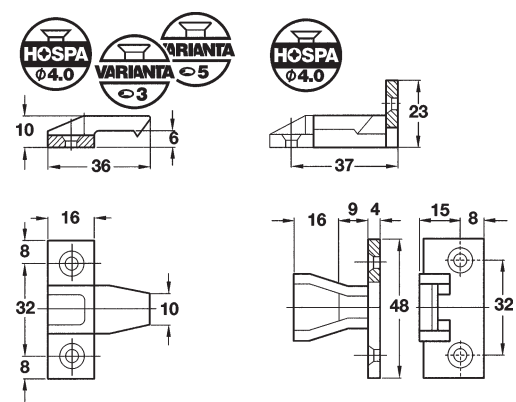
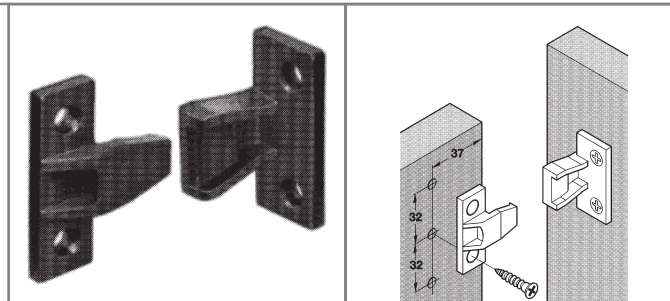
Designed for quick, easy use during in-house or on-site assembly, Keku fasteners are not visible from outside and requires no tools for assembly.

#### Keku Push-Fit Fastener L36260413P

The Keku push-fit fastener includes screw-mounted frame element and screw-mounted panel element. Finish is black plastic.

#### Keku Press-Fit Fastener L36260422P

The Keku press-fit fastener includes screw-mounted frame element with Varianta special screws for 3mm or 5mm diameter holes and screw-mounted panel element with Hospa particle board screws. Finish is black plastic.



Product #	Description	Qty Per Box
L36260413P	Keku Push-Fit Fastener Pair, Black	50
L36260422P	Keku Press-Fit Fastener Pair, Black	50

### Wall Anchor

#### E-Z Anchor® L15128125P

The E-Z Anchor is a one-piece self-drilling anchor. It has a fast, easy one-step installation requiring only a #2 phillips screwdriver. It's also removable. Unlike other mounting hardware, you can take the E-Z Anchor out of the wall as easily as you put it in.

This anchor also boasts a secure fit, as the deep threads hold fast in 3/8", 1/2" or 5/8" gypsum wallboard. It holds up to 70 pounds shear strength (depending on material strength). The unique point cuts neatly and clearly into the wall and the head sits flush. E-Z Anchor is also corrosion-resistant, so it will not rust, stain or streak. Finish is heavy duty zinc-plated steel.



Product #	Description	Qty Per Box
L15128125P	E-Z Anchor for #8 Screw ZIP	100