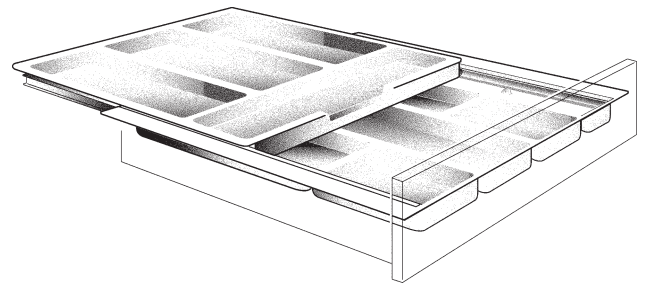


Double-Tiered Cutlery Trays



Double-Tiered Cutlery Trays 1475E-W 1775E-W 2075E-W
 Stow cutlery safely away from silverware. Everything is in its place. The bottom tray is designed for cutlery and other large items, while the top holds silverware. It comes pre-assembled with epoxy-coated drawer slides mounted directly to the top tier. The rear of the drawer box needs to be notch cut to allow the top tray to slide/roll back. Available in three sizes to double a drawer's storage capacity. Available in white only, 1 per carton with instructions.

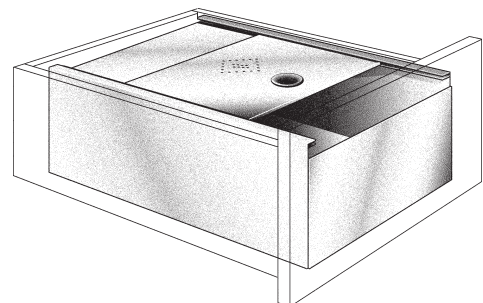


Product #	Description	Height	Interior Drawer Width	Min. Depth
1475E-W	2-Tier Cutlery Tray White	3-1/4"	12-1/4" to 14-3/4"	17-1/4"
1775E-W	2-Tier Cutlery Tray White	3-1/4"	15-1/4" to 17-3/4"	17-1/4"
2075E-W	2-Tier Cutlery Tray White	3-1/4"	18-1/4" to 20-3/4"	17-1/4"

Bread Boxes



Bread Boxes K12T-1 K13T-1 K15T-1
 The perfect solution for bread and baked goods storage. Keeps breads and pastries fresher in a convenient closed environment. Available in tin, feature a ventilated, sliding half-lid for easy access. Crimped corner construction technique eliminates sharp edges and enhances the appearance. Offered 1 per carton.



Product #	Description	Height	Width	Depth
K12T-1	Bread Box - Tin	7-1/2"	12-1/4"	17"
K13T-1	Bread Box - Tin	7-1/2"	13-1/8"	17"
K15T-1	Bread Box - Tin	7-1/2"	15-1/4"	17"

Sink Front Trays



The perfect storage spot for the cluttered sink.

Plastic Sink Front Trays PSF11 PSF14 PSF2425 PSF3025

Plastic sink front trays are designed for use with euro or scissor hinges. Tray does not need a stop. White plastic finish (-W). Includes mounting hardware and installation instructions.

Stainless Steel Sink Front Trays SF14W SF16W SF19W SF22W

Designed for use with standard self-closing hinges used on most cabinetry (hinges not included). These are the heavy-duty versions of Real Solutions sink front trays. Manufactured of stainless steel, these 2" trays are designed for durability. They feature a built-in stop that prevents articles from tipping out. Includes mounting hardware and installation instructions.



Plastic Sink Front Tray



Stainless Steel Sink Front Tray

Product #	Description	Height	Width	Depth
PSF11-W	Plastic Sink Front Tray White	3"	11"	2"
PSF14-W	Plastic Sink Front Tray White	3"	14"	2"
PSF2425-W	Plastic Sink Front Tray White	3"	24-1/4"	2"
PSF3025-W	Plastic Sink Front Tray White	3"	30-1/4"	2"
SF14W	Stainless Steel Sink Front Tray	3"	14"	2"
SF16W	Stainless Steel Sink Front Tray	3"	16"	2"
SF19W	Stainless Steel Sink Front Tray	3"	19"	2"
SF22W	Stainless Steel Sink Front Tray	3"	22"	2"

Sink Front Tray Hinges



Remember trying to open that little door in front of the sink only to find it glued shut. Now it doesn't have to be that way!

Scissors Hinge SH-10

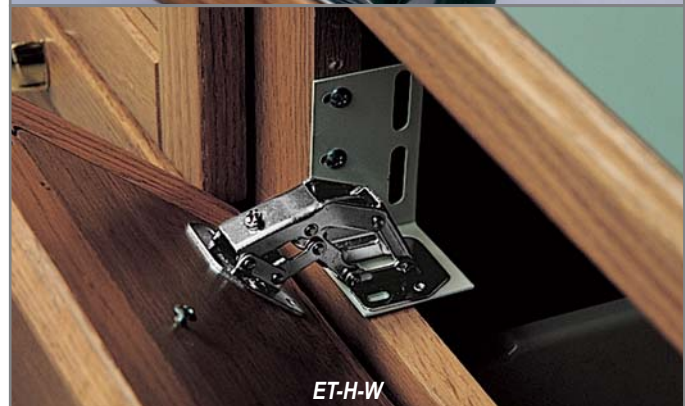
This spring loaded, self-closing concealed scissors hinge fits both traditional frame or contemporary frameless cabinet applications. The hinges have an opening angle of 40 degrees, and feature an internal stop and open smoothly and evenly on any length panel. Includes mounting hardware and installation instructions.

Euro-Tray Hinge ET-H-W

The euro-tray hinge is perfect for use with sink front trays as well as with bread boards. It allows for an opening angle from 45°- 90° and provides smooth action even on long panel fronts. The mounting pattern fits both frame and frameless cabinetry. The mounting plate finish is white (-W) epoxy-coated steel, and the hinge mechanism is chrome-plated. Includes mounting hardware and installation instructions.



SH-10



ET-H-W

Product #	Description	Height	Width	Depth
SH-10	Sink Front Tray Scissors Hinge	3-3/4"	3/4"	1-3/4"
ET-H-W	Sink Front Tray Euro-Tray Hinge	2-3/4"	4"	2"