

Cabinet Suspension Fittings



Suspension Rail 499830001719

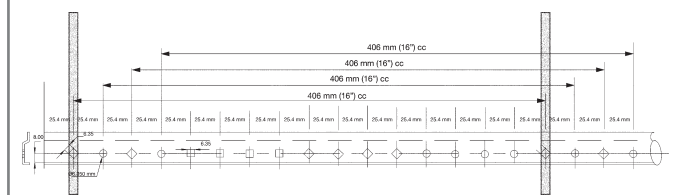
Mepla's new patent pending suspension rail will make quick work of any installation. The unique hole pattern allows the installer to quickly locate all of the stud locations. Eight foot rail, white rail cover.

Suspension Bracket 499820400274

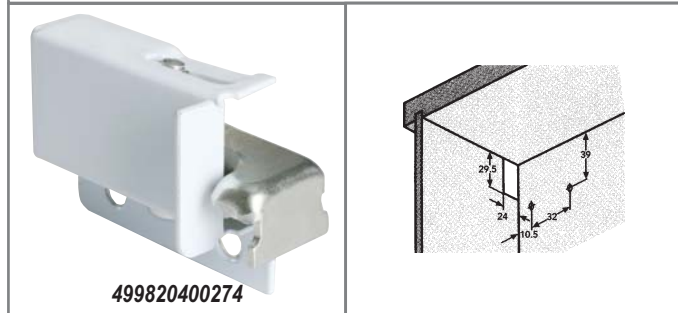
- All metal
- No cover required
- 400 lbs. carrying capacity per wall cabinet
- White



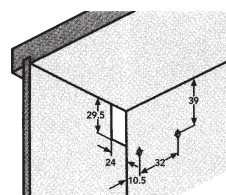
499830001719



Simply find the first stud, identify the hole, there will be a stud every time the pattern repeats



499820400274



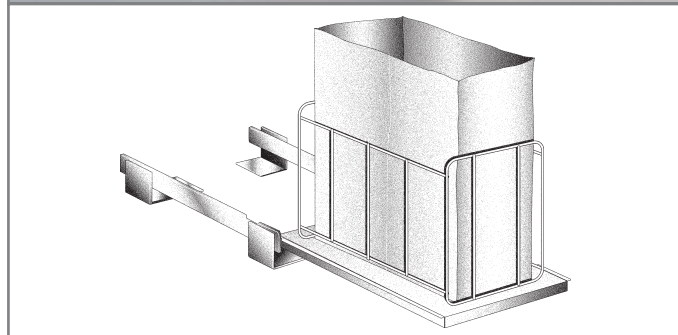
Product #	Description	Qty Per Box
499830001719	Suspension Rail 96"	10
499831000174	Suspension Rail Cover White	10
499820400174	Cabinet Suspension Bracket - Right	200
499820400274	Cabinet Suspension Bracket - Left	200

Dirty Dan



Dirty Dan DD14-W

Designed for tight spaces around plumbing fixtures in base cabinets. It can be mounted to fit a 14-1/2" opening (*add 3/4" to opening width for European-style cabinetry) or be rotated 90 degrees to fit a 9" opening. A durable epoxy-coated white wire cage holds a standard grocery sack on a solid platform, and it rolls on KV epoxy-coated roller slides. Offered individually.



Product #	Description	Min. Cab. Height	Min. Cab. Width*	Min. Cab. Depth
DD14-W	Dirty Dan White	15-3/4"	9" or 14-1/2"	18-7/8"