

Cabinet Suspension Fittings

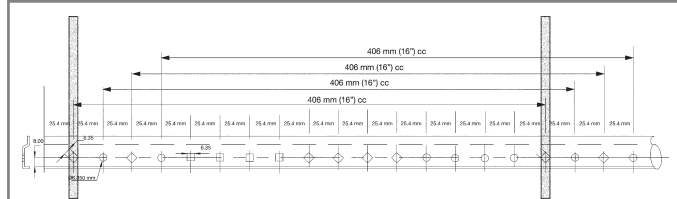


Suspension Rail 499830001719

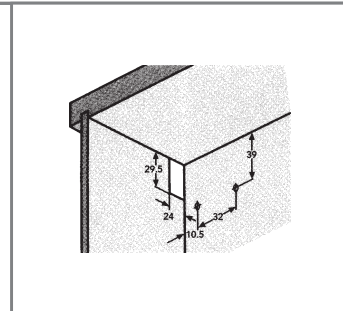
Mepla's new patent pending suspension rail will make quick work of any installation. The unique hole pattern allows the installer to quickly locate all of the stud locations. Eight foot rail, white rail cover.

Suspension Bracket 499820400274

- All metal
- No cover required
- 400 lbs. carrying capacity per wall cabinet
- White



Product #	Description	Qty Per Box
499830001719	Suspension Rail 96"	10
499831000174	Suspension Rail Cover White	10
499820400174	Cabinet Suspension Bracket - Right	200
499820400274	Cabinet Suspension Bracket - Left	200

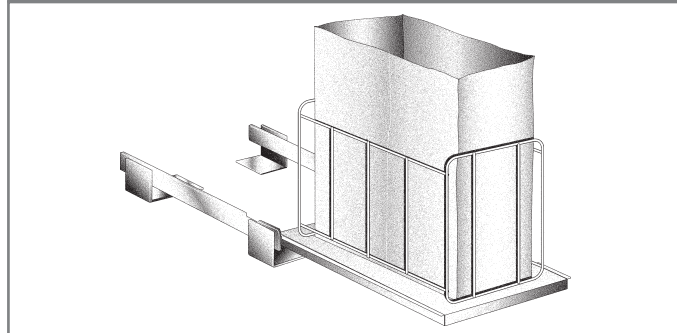


Dirty Dan



Dirty Dan DD14-W

Designed for tight spaces around plumbing fixtures in base cabinets. It can be mounted to fit a 14-1/2" opening (*add 3/4" to opening width for European-style cabinetry) or be rotated 90 degrees to fit a 9" opening. A durable epoxy-coated white wire cage holds a standard grocery sack on a solid platform, and it rolls on KV epoxy-coated roller slides. Offered individually.



Product #	Description	Min. Cab. Height	Min. Cab. Width*	Min. Cab. Depth
DD14-W	Dirty Dan White	15-3/4"	9" or 14-1/2"	18-7/8"

Slide-Out Waste Bins



Designed for base cabinet applications. Epoxy-coated white wire holds white bin(s) securely in place. No more than 30 lbs. per bin is recommended (no bulk storage). Installation instructions and hardware included.

Sliding Waste Bins

Single bins have 3/4 extension heavy-duty precision ball-bearing slides. PSW9-1-20 and PSW10-1-30 are 8-3/8" wide, PSW12-1-30 and PSW12-1-35 are 11-3/8" wide, PSW15-1-20 is 14-3/8" wide. Double bins have full extension overtravel heavy-duty precision ball-bearing slides. PSW15-2-20 and PSW15-2-35 are 14-3/8" wide, PSW18-2-30 is 17-3/8" wide.

Door Bracket Kit PDMKT1.5-1-W

Fits most common cabinet door overlays with no need for sub-panel support behind cabinet door. Six-way adjustability for door alignment with easy "drop-in" keyhole attachment.



Product #	Description	Height	Width	Depth	Bin Qt. Cap.
PSW9-1-20-W	Slide-Out 1 Bin White	16-1/4"	9"	22"	20
PSW10-1-30-W	Slide-Out 1 Bin White	19-3/4"	9-1/2"	22"	30
PSW12-1-30-W	Slide-Out 1 Bin White	19-3/4"	12"	22"	30
PSW12-1-35-W	Slide-Out 1 Bin White	16-3/4"	12"	22"	35
PSW15-1-20-W	Slide-Out 1 Bin White	16-1/4"	15"	16"	20
PSW15-2-20-W	Slide-Out 2 Bin White	16-1/4"	15"	22"	20
PSW15-2-35-W	Slide-Out 2 Bin White	19-3/4"	15"	22"	35
PSW18-2-30-W	Slide-Out 2 Bin White	19-3/4"	18"	22"	30
PDMKT1.5-1-W	Door Bracket Kit White	-	1-1/2"	-	-

Door Mount Slide-Out Waste Bins



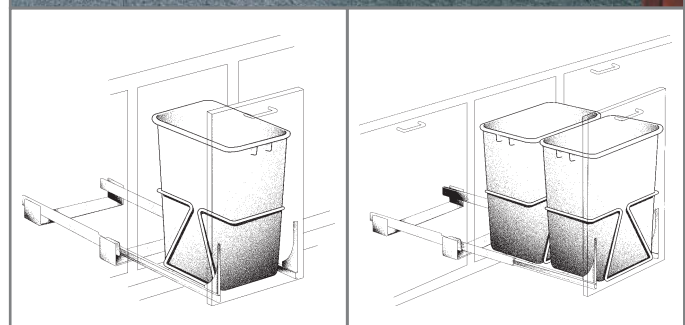
Designed for base cabinet applications. Door mounted units are supplied with hardware to accommodate most door overlays on 1-1/2" face-framed cabinet architecture, feature six-way adjustability and eliminate the need for sub-panel support behind the cabinet door. A durable epoxy-coated white wire holds the bin(s) securely in place, and the white bin(s) are included. No more than 30 pounds per bin is recommended (not intended for bulk storage). Easy installation instructions and hardware are also included.

Door Mount Sliding Single Waste Bins

Single bin units feature 3/4 extension KV heavy-duty precision ball-bearing slides. Width of PDMSW12-1-30 sliding assembly is 11-3/8". Width of PDMSW15-1-20 sliding assembly is 14-3/8".

Door Mount Sliding Double Waste Bins

Double bin units feature full extension overtravel KV heavy-duty precision ball-bearing slides. Width of PDMSW15-2-35 sliding assembly is 14-3/8". Width of PDMRC12-2-27 sliding assembly is 11-3/8".



Product #	Description	Height	Width	Depth	Bin Qt. Cap.
PDMSW12-1-30	Door Mount SO WB White	19-3/4"	12"	22"	30
PDMSW15-1-20	Door Mount SO WB White	16-1/4"	15"	16"	20
PDMSW15-2-35	Door Mount SO WB White	19-3/4"	15"	22"	35
PDMRC12-2-27	Door Mount SO WB White	19-3/4"	12"	22"	27

Roll-Out 4-Bin Recycling Center



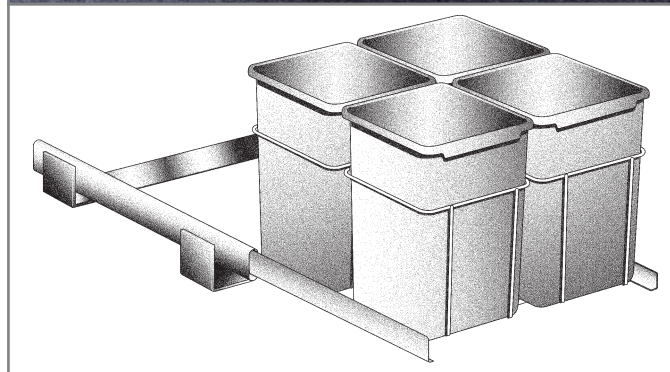
Designed for base cabinet applications, these recycling centers feature KV heavy-duty precision ball-bearing slides. Offered in slide-out or door-mounted slide-out configurations. A durable epoxy-coated white wire holds the bin(s) securely in place, and the white bin(s) are included. No more than 25 pounds per bin is recommended (not intended for bulk storage). Easy installation instructions and hardware are also included. Each unit also comes with four 27 quart bins.

Roll-Out 4-Bin Recycling Center PRC24-4-27-W

Width of PDMSW12-1-30 sliding assembly is 11-3/8". Width of PRC24-4-27-W sliding assembly is 23-3/8".

Roll-Out Door-Mount 4-Bin Recycling Center PDMRC24-4-27

Door mounted units are supplied with hardware to accommodate most door overlays on 1-1/2" face-framed cabinet architecture, feature six-way adjustability and eliminate the need for sub-panel support behind the cabinet door. Width of PDMRC24-4-27 sliding assembly is 23-3/8".



Product #	Description	Height	Width	Depth	Bin Qt. Cap.
PRC24-4-27-W	Roll-Out 4Bin RC White	19-3/4"	24"	23"	27x4
PDMRC24-4-27	Roll-Out DM 4BRC White	19-3/4"	24"	23"	27x4

Top Mount Waste & Recycling Management



Designed specifically for use with traditional 1-1/2" wide face frame cabinetry. For use with frameless cabinetry, additional blocking may be required. Made of 3/4" thick multi-ply birch veneered plywood with soft radius edges for safety and comfort. Three coats of durable catalyzed finish protect against staining and discoloring. Cut-outs in platform allow for easy bin removal. KV8400 Series full extension drawer slides are rated in the heavy-duty 100 pound weight class, and exceed BHMA test requirements. Anachrome sliding assembly finish.

Top Mount Single Bin Waste/Recycling Management PDMTM12-1-35

Single bin unit is designed for a 12" cabinet opening, and features one 35 quart bin and an additional accessory basket constructed of heavy-duty epoxy-coated wire to hold kitchen trash bags (not included). Minimum cabinet opening of 19" H (includes height of waste bin) x 12" W x 24" D required.

Top Mount Double Bin Waste/Recycling Management PDMTM15-2-35

Double bin unit is designed for a 15" cabinet opening and features two 35 quart bins, for separating trash or recycling. Minimum cabinet opening of 19" H (includes height of waste bin) x 15" W x 24" D required.



PDMTM12-1-35



PDMTM15-2-35

Product #	Description	Height	Width	Depth	Bin Qt. Cap.
PDMTM12-1-35	Top Mount 1B WRM White	19"	11-3/4"	22"	35
PDMTM15-2-35	Top Mount 2B WRM White	19"	14-3/4"	22"	35

Top Mount Undermount Waste & Recycling



Top Mount Undermount Waste/Recycling UMDM15-1-35

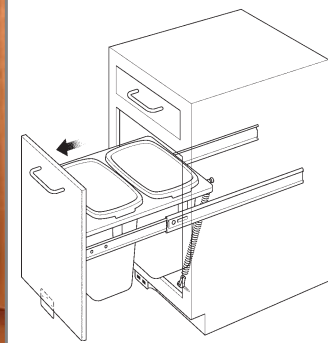
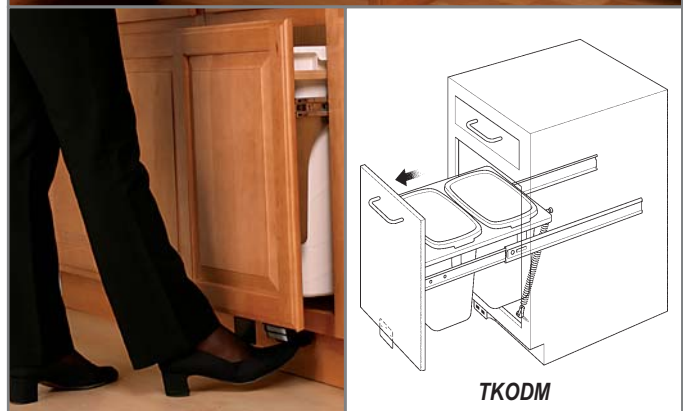
This unit features a multi-ply birch veneer platform surround. It rides smoothly on concealed undermount slides, and the adjustable door mount brackets are included. Minimum cabinet opening of 15" H x 15" W x 24" D required.

Toe-Kick Opener Hardware TKODM

Installs in just minutes - even after a cabinet has already been installed. Designed for use with our top-mount Waste & Recycling Management products and can be used with a variety of door styles.



UMDM15-1-35



TKODM

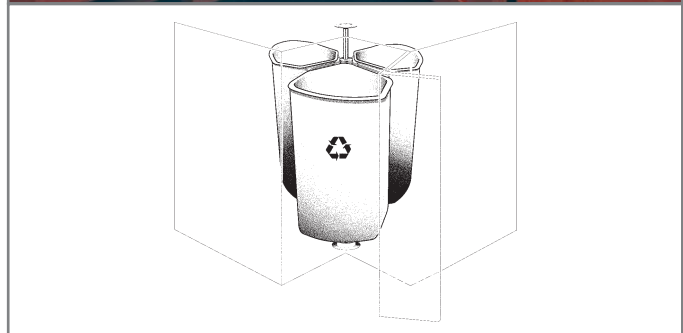
Product #	Description	Min. Cab. Height	Min. Cab. Width	Min. Cab. Depth	Bin Qt. Cap.
UMDM15-1-35	Top Umt. WRM White	15"	15"	24"	35
TKODM	Toe-Kick Opener HW	-	-	-	-

Corner Recycling Center



Corner Recycling Center RRC28K-W

Designed to fit in 36" base corner cabinet. Available with hardware to mount to revolving cabinet door (RRC28PT). Three removable 32-quart bins rotate on chrome-plated post. Quiet-glide bearing mechanism features positive centering return to cabinet opening. Six color-coded recycling stickers included, for organizing and labeling recyclables. Installation instructions and hardware included. For post height ranges 28-1/2" to 30-1/2". Also available in almond.



Product #	Description	Min. Cab. Height	Min. Cab. Width	Min. Cab. Depth	Bin Qt. Cap.
RRC28K-W	Corner Recycling White	21"	14-3/8"	28"	32

Replacement Bins for Waste & Recycling Management Products



Replacement Bin QT20PB-W

QT20PB-W replaces bin(s) from: PSW9-1-20-W, PSW15-1-20-W, PDMSW9-1-20, PDMSW15-1-20, PSW15-2-20-W and PDMSW15-2-20.

Replacement Bin QT27PB-W

QT27PB-W replaces bin(s) from: PRC12-2-27-W, PDMRC12-2-27, PRC24-4-27-W and PDMRC24-4-27.

Replacement Bin QT30PB-W

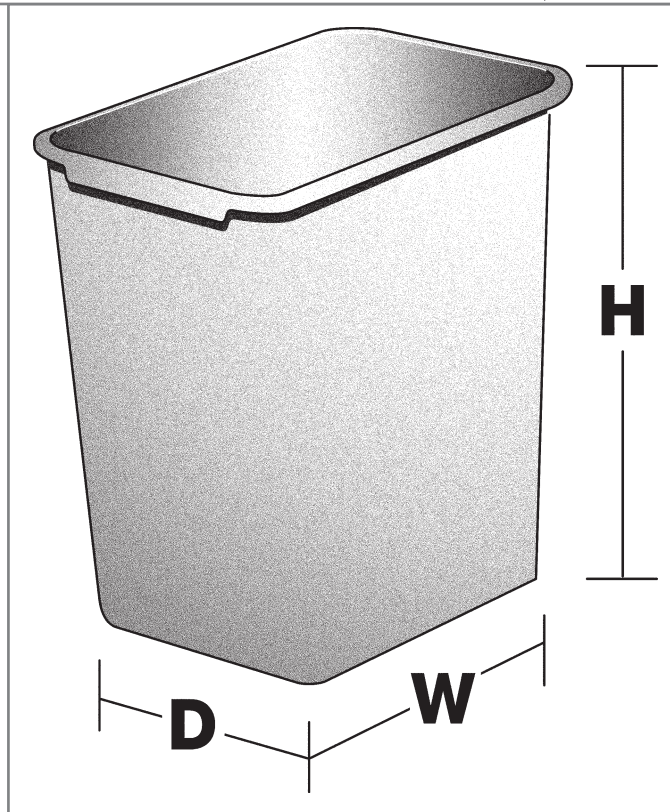
QT30PB-W replaces bin(s) from: PSW12-1-30-W, PSW10-1-30-W, PDMSW10-1-30, PSW18-1-30-W, PDMSW12-1-30, PDMSW18-1-30, PSW18-2-30-W and PDMSW18-2-30.

Replacement Bin QT32PB-W

QT32PB-W replaces bin(s) from: RRC28K-W.

Replacement Bin QT35PB-W

QT35PB-W replaces bin(s) from: PSW12-1-35-W, PDMSW12-1-35, PSW15-2-35-W and PDMSW15-2-35.

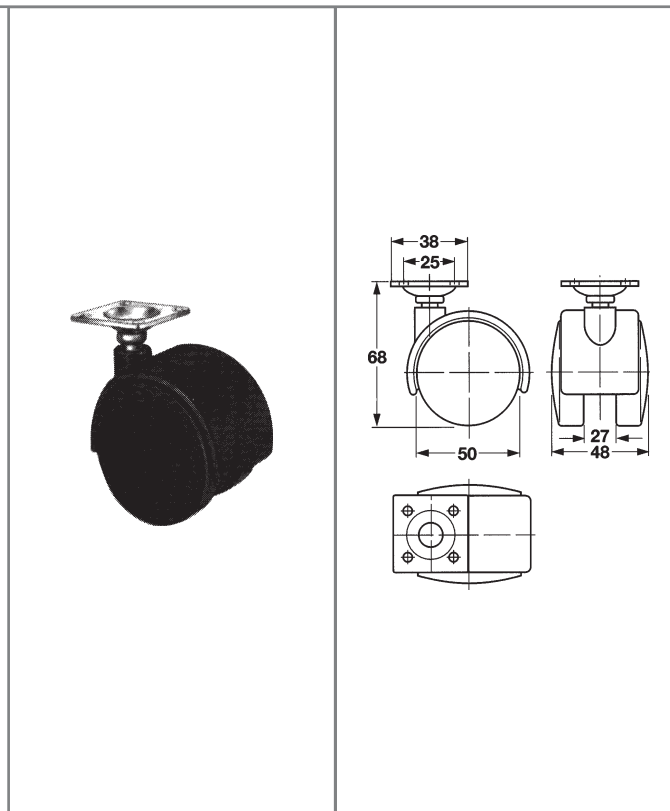


Product #	Description	Height	Width	Depth	Bin Qt. Cap.
QT20PB-W	Replacement Bin White	15"	14-1/4"	8-3/8"	20
QT27PB-W	Replacement Bin White	17-3/4"	11-3/8"	11-3/8"	27
QT30PB-W	Replacement Bin White	18"	15-3/8"	9-3/8"	30
QT32PB-W	Replacement Bin White	19-3/8"	13-7/8"	11-3/4"	32
QT35PB-W	Replacement Bin White	18"	14-5/8"	10-1/2"	35

Twin-Wheel Castor

Twin-Wheel Castor with Mounting Plate L76054471

With well-spaced wheels, this twin-wheel castor without brake combines exceptionally smooth running with an easy castoring action. Incorporating a hard, abrasion-proof surface finish, they are particularly suitable for soft floor coverings such as carpets. Finish is black matte plastic hood and wheel.



Product #	Description	Qty Per Box
L76054471	Twin-Wheel Castor without Brake	100