

Replacement Bins for Waste & Recycling Management Products



Replacement Bin QT20PB-W

QT20PB-W replaces bin(s) from: PSW9-1-20-W, PSW15-1-20-W, PDMSW9-1-20, PDMSW15-1-20, PSW15-2-20-W and PDMSW15-2-20.

Replacement Bin QT27PB-W

QT27PB-W replaces bin(s) from: PRC12-2-27-W, PDMRC12-2-27, PRC24-4-27-W and PDMRC24-4-27.

Replacement Bin QT30PB-W

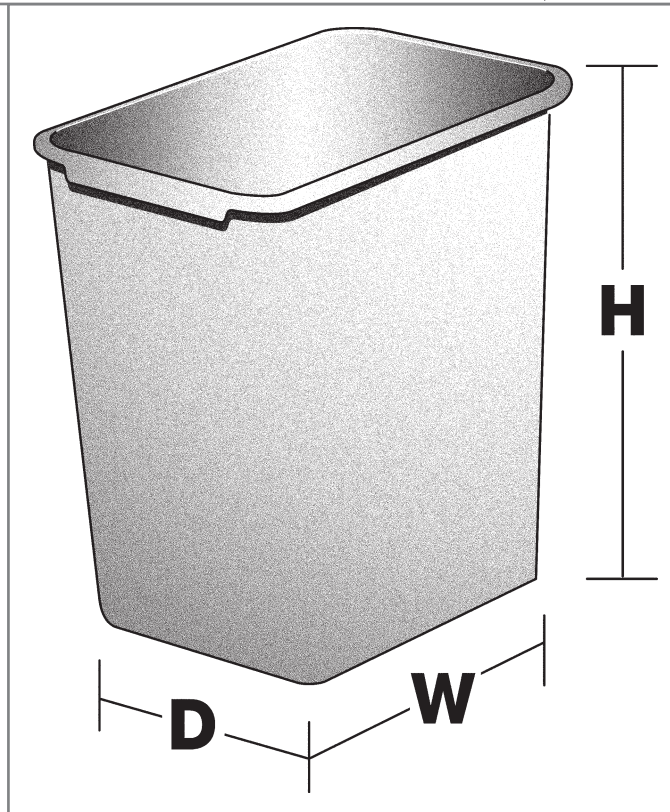
QT30PB-W replaces bin(s) from: PSW12-1-30-W, PSW10-1-30-W, PDMSW10-1-30, PSW18-1-30-W, PDMSW12-1-30, PDMSW18-1-30, PSW18-2-30-W and PDMSW18-2-30.

Replacement Bin QT32PB-W

QT32PB-W replaces bin(s) from: RRC28K-W.

Replacement Bin QT35PB-W

QT35PB-W replaces bin(s) from: PSW12-1-35-W, PDMSW12-1-35, PSW15-2-35-W and PDMSW15-2-35.

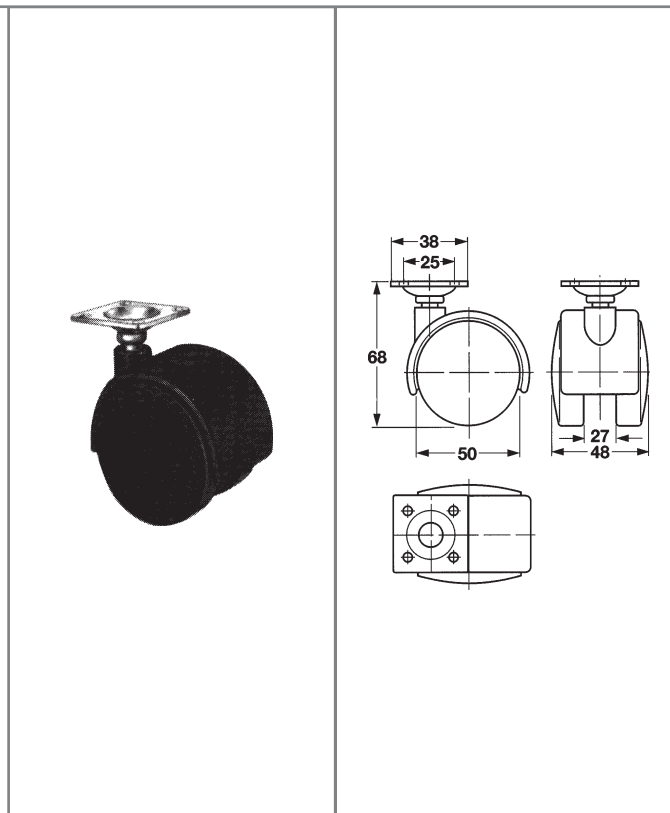


Product #	Description	Height	Width	Depth	Bin Qt. Cap.
QT20PB-W	Replacement Bin White	15"	14-1/4"	8-3/8"	20
QT27PB-W	Replacement Bin White	17-3/4"	11-3/8"	11-3/8"	27
QT30PB-W	Replacement Bin White	18"	15-3/8"	9-3/8"	30
QT32PB-W	Replacement Bin White	19-3/8"	13-7/8"	11-3/4"	32
QT35PB-W	Replacement Bin White	18"	14-5/8"	10-1/2"	35

Twin-Wheel Castor

Twin-Wheel Castor with Mounting Plate L76054471

With well-spaced wheels, this twin-wheel castor without brake combines exceptionally smooth running with an easy castoring action. Incorporating a hard, abrasion-proof surface finish, they are particularly suitable for soft floor coverings such as carpets. Finish is black matte plastic hood and wheel.



Product #	Description	Qty Per Box
L76054471	Twin-Wheel Castor without Brake	100