

Furniture Glides & Levelers

Glide L75012237P L75012264P L75012291P
Furniture glide with 5mm mounting height. Finish is white plastic.

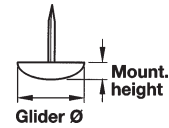
Base Leveler L73715208P
Base leveler with 1/4-20 x 20 26mm tall spindle and 16mm plastic cap. Minimum installation height is 7.5mm, and the adjustment range is +15mm. Finish is zinc-plated steel on the spindle and beige plastic on the cap.

Base Leveler L75114432P
Base leveler with 1/4-20 x 20 33mm tall spindle and 25mm plastic cap. Finish is zinc-plated steel on the spindle and black plastic on the cap.

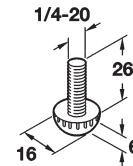
T-Nut L13115068P
T-nut 1/4-20 x 10. Finish is zinc-plated steel.



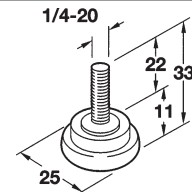
L750122xxP



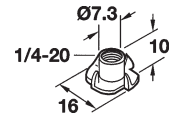
L73715208P



L75114432P



L13115068P

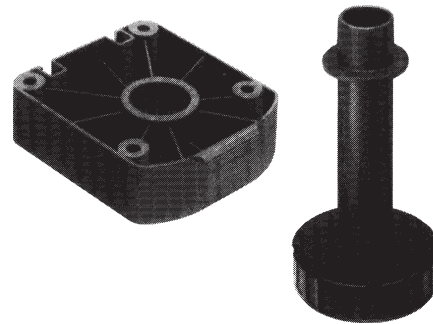
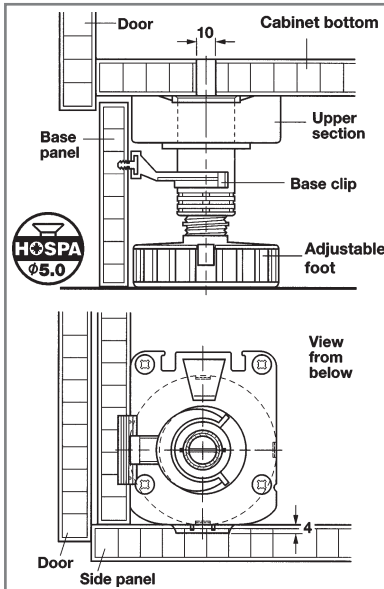


Product #	Description	Qty Per Box
L75012237P	Furniture Glide 13mm Diameter White	100
L75012264P	Furniture Glide 16mm Diameter White	400
L75012291P	Furniture Glide 19mm Diameter White	100
L73715208P	Base Leveler 1/4-20 x 20 Beige Base	400
L75114432P	Base Leveler 1/4-20 x 20 Black Base	150
L13115068P	T-Nut 1/4-20 x 10 ZIP	100

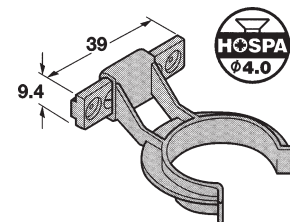
Base Furniture Levelers

Adjustable Foot L73749400
Two part adjustable cabinet leveler, with a 30mm diameter shaft. The base height is 4" (100mm), and the adjustment range is -5mm to +15mm. Finish is black plastic.

Base Clip L73749160
Two part base clip, screw-mounted to base panel. Finish is white plastic.



L73749400



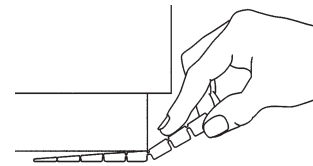
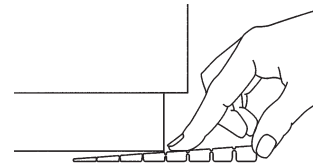
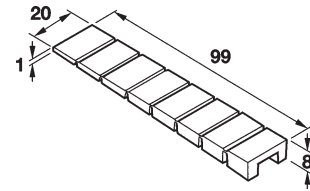
L73749160

Product #	Description	Qty Per Box
L73749400	Cabinet Leveler 100mm Black	20
L73749160	Base Clip White	100

Self-Adjusting Furniture Levelers

Furniture Alignment Wedges L10600000P

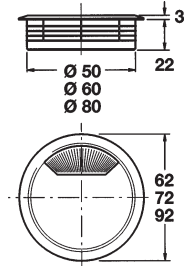
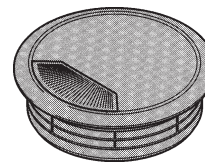
Plastic strips can be broken off from 1mm to 8mm to level furniture. To use, place strip under furniture, and when aligned, simply break off. Finish is brown plastic.



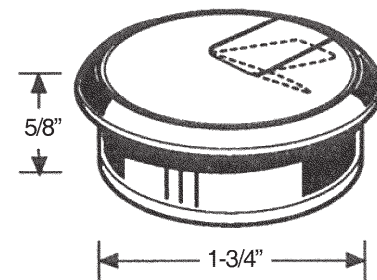
Product #	Description	Qty Per Box
L10600000P	Furniture Wedge Brown Plastic	100

Cable Grommets

This is a round, two-piece cable set with spring closure. Use for press-fitting or gluing. The finish is plastic in the colors listed. 6626 is a round, two-piece wire grommet with living hinge tabbed opening, fine pebble textured finish and overlapping trim edge. Use for press-fitting or gluing.



Product No.	Description	Diameter		Qty Per Box
		Inches	mm	
L52909120	Grommet - Almond	2.38	60	100
L52909139	Grommet - Almond	2.00	50	100
L52909148	Grommet - Almond	3.19	80	100
L52909228	Grommet - Brown	2.38	60	100
L52909246	Grommet - Brown	3.19	80	100
L52909424	Grommet - Black	2.38	60	100
L52909433	Grommet - Black	2.00	50	100
L52909442	Grommet - Black	3.19	80	100
L52909620	Grommet - Gray	2.38	60	100
L52909639	Grommet - Gray	2.00	50	100
L52909826	Grommet - White	2.38	60	100
L52909835	Grommet - White	2.00	50	100
6626	Grommet - Black	1.75	44	20



6626