

## Catches

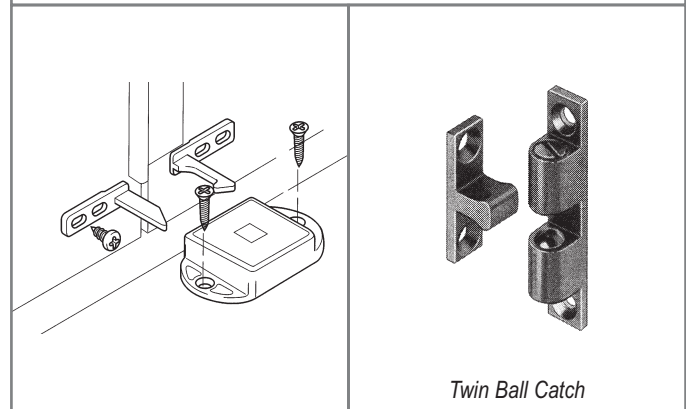
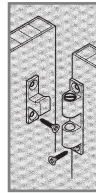
### Automatic Door Bolt L34568809

The automatic door bolt locks double doors without the necessity of an additional catch or bolt. It must be combined with either a cam lock or a rim lock.

The elegant housing of the automatic door bolt is only to be screwed in the center under the top and the hooks each on top of the doors. By means of driving the hooks into the automatic housing, the doors are firmly being pulled to the corpus. Finish is zinc die-cast, nickel-plated.

### Twin Ball Catches L34430202 L34430239

Solid screw-mounted catches for heavy-duty applications with holding power that is screwdriver adjustable. Finish on the ball is chrome steel, and the finish on the other parts are matt brass.

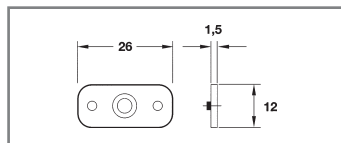


Product #	Description	Unit	Qty Per Box
L34568809	Automatic Door Bolt NIP	each	20
L34430202	Twin Ball Catch Brass	each	50
L34430239	Twin Ball Catch 70mm	each	50

## Magnetic Push Latches

Magnetic push latch is a type of automatic catch with a permanent magnet as the retaining element. The opening and closing functions, however, are similar to those of an automatic spring catch.

Light pressure on the door is sufficient to close it securely or open it to the extent needed for any further magnetic holding power to be overcome manually. Strike(s) and screws are included, and the strike(s) are the same for all items.

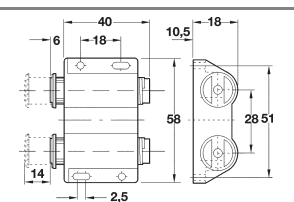
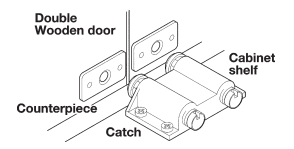
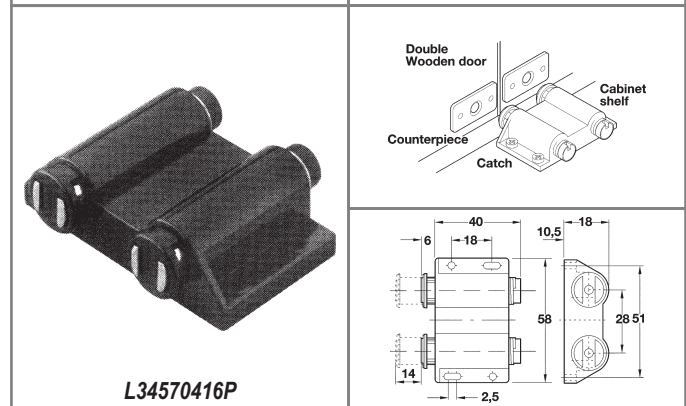
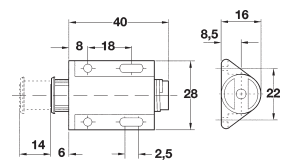
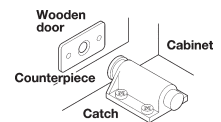
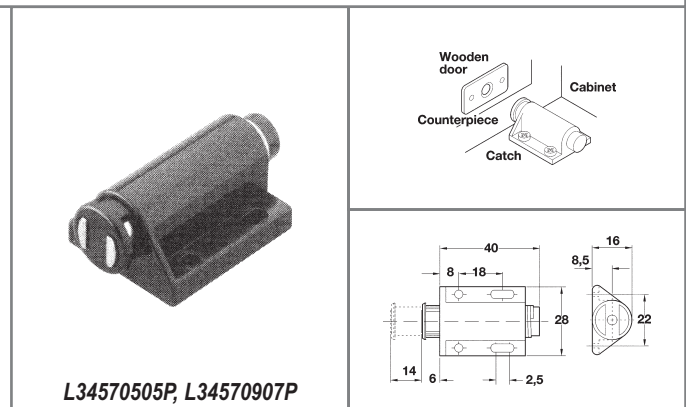


### Single Magnetic Push Latches L34570505P L34570907P

Finish on the catch is black (L34570505P) or white (L34570907P) plastic, and the finish on the strike is steel.

### Double Magnetic Push Latch L34570416P

Finish on the catch is black plastic, and the finish on the 2 strikes are steel.



Product #	Description	Unit	Qty Per Box
L34570505P	S. Magnetic Push Latch Black, Strike	each	50
L34570907P	S. Magnetic Push Latch White, Strike	each	50
L34570416P	D. Magnetic Push Latch Black, Strikes	each	25