

## Pocket Door Slides



### Pivot Door Slide with Attached Hinge Base 8082EZ

#### 30 lb./14 kg. Load Rating

8082EZ is a medium duty, precision 3/4 extension slide with multiple hinge options. Channels may be mounted to the side of the case for pocket doors, or to the underside of the top for receding doors. The maximum door dimensions for horizontal pivot doors is 24" high x 48" wide, or for vertical doors, 42" high x 24" wide. Total clearance width including the hinge (not included) at maximum adjustment for self-close and overlay hinges is 1-25/32", or 2-5/32" for thick doors, 2-15/32" for extra thick doors. It features single movement on precision steel ball bearings, an oversized "L-shaped" follower-strip mounting plate and an attached hinge base. It also has cushioned stops, door hold-out feature, adjustable channel slots for installation ease, corner rollers for door guidance, and a metal ball retainer that holds three bearings per inch of face for smooth and quiet motion. 8082EZ has an anochrome finish. Poly packed one pair with hinge base, rollers and instructions.

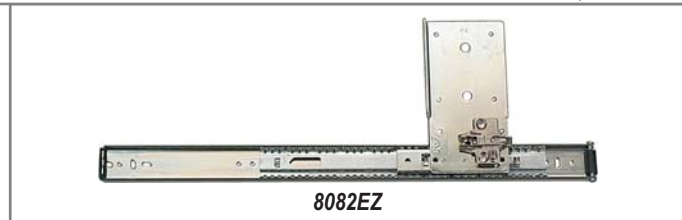
### 4x4 Pocket Door Slide with Attached Hinge Base 8092

#### 75 lb./34 kg. Load Rating

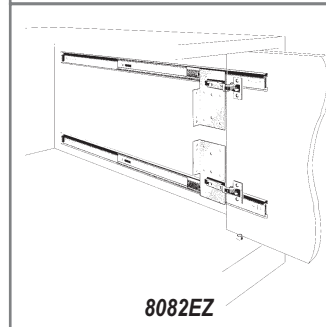
8092 is ideal for use in large entertainment and home theater cabinets with oversized doors (max. 72" H x 26" W). It mounts directly to the cabinet side and features progressive movement on precision steel ball bearings, a rack and pinion design that virtually eliminates door sag and a slide rack indexing system to speed install time. A metal ball retainer holds three bearings per inch of face for smooth and quiet operation. Multiple hinge options allow for a variety of applications. 8092 has an ebony black finish. Poly packed one pair with screws and instructions. KV hinge kits (two hinges, screws) and shafts ordered separately. **4x4 installation video available.**

### Raised Panel Cassette Roller 8090PCR

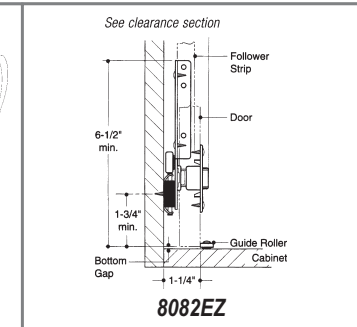
Cassette roller provides additional support for the unique needs of raised panel door construction. It is placed on the side cabinet wall allowing the horizontal door rail to be cushioned as it recesses into the cabinet. It is not required for flat panel doors. Two per poly bag with screws.



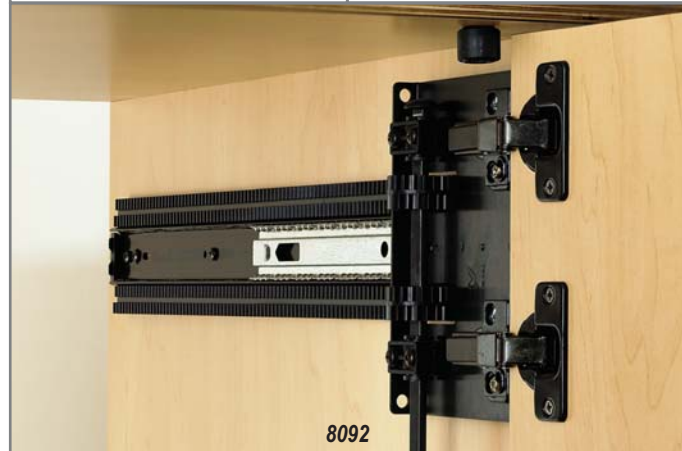
8082EZ



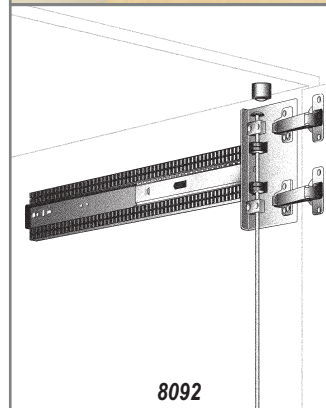
8082EZ



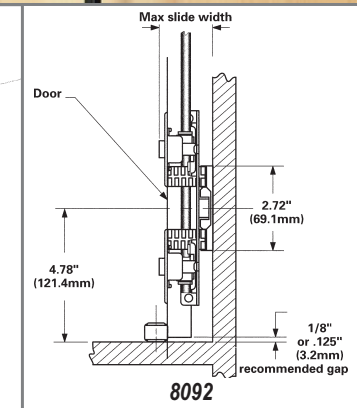
8082EZ



8092



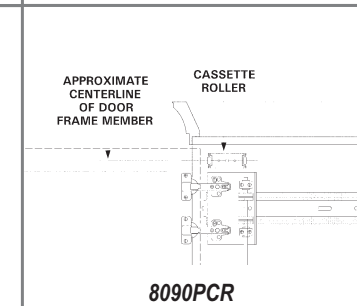
8092



8092



8090PCR



8090PCR

Product #	Description	Length	Unit	Qty Per Box
8082PEZEB-12	Pivot Door Slide Set	12"	set	10
8082PEZEB-14	Pivot Door Slide Set	14"	set	10
8082PEZEB-16	Pivot Door Slide Set	16"	set	10
8082PEZEB-18	Pivot Door Slide Set	18"	set	10
8082PEZEB-20	Pivot Door Slide Set	20"	set	10
8082PEZEB-22	Pivot Door Slide Set	22"	set	10
8082PEZEB-24	Pivot Door Slide Set	24"	set	10
8092PEB-18	4x4 Pocket Door Slide Set	18"	set	5
8092PEB-20	4x4 Pocket Door Slide Set	20"	set	5
8092PEB-22	4x4 Pocket Door Slide Set	22"	set	5
8092PEB-24	4x4 Pocket Door Slide Set	24"	set	5
8092PEB-26	4x4 Pocket Door Slide Set	26"	set	5
8092PEB-28	4x4 Pocket Door Slide Set	28"	set	5
8092PEB-30	4x4 Pocket Door Slide Set	30"	set	5
8092SBEB-36	Pinion Shafts for 8092	36"	pair	1
8092SBEB-48	Pinion Shafts for 8092	48"	pair	1
8092SBEB-72	Pinion Shafts for 8092	72"	pair	1
8080HKEZSEB	Inset Hinge Kit 35mm Cup, 2/set	3/4" door	set	10
8080HKEZLEB	Overlay Hinge Kit 40mm, 2/set	3/4" door	set	10
8085HKEZTEB	Thick Door Hinge Kit 40mm, 2/set	1" door	set	10
8086HKEZXEB	Extra Thick Hinge Kit 40mm, 2/set	1 1/4" door	set	10
8090PCR	Raised Panel Cassette Roller	-	each	10