

Heavy Duty Pantry Pull-Out Slide

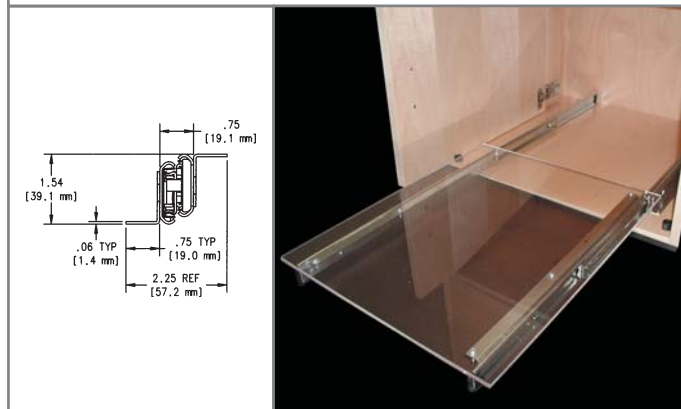


Heavy Duty Pantry Pull-Out Slide 8000

130 lb./59 kg. Load Rating

The 8000 over-travel pullout slide is specially designed for use with kitchen pantries, computer and entertainment centers, or where a pull-out shelf is needed. It is bracket mounted, and overtravel is the slide length plus 0.83". The height is 1.54", and the clearance is 3/4" for the slide only, 2-1/4" with brackets. The hold-in detent helps prevent the slide from "creeping" forward, and it features telescopic action. Model 8000 has an anochrome finish.

Individually poly packed five pairs per box with screws and installation instructions.



Product #	Description	Length	Unit	Qty Per Box
8000P-16	HD Undermt. Pantry Overtravel Slide	16"	pair	5
8000P-18	HD Undermt. Pantry Overtravel Slide	18"	pair	5
8000P-20	HD Undermt. Pantry Overtravel Slide	20"	pair	5
8000P-22	HD Undermt. Pantry Overtravel Slide	22"	pair	5
8000P-24	HD Undermt. Pantry Overtravel Slide	24"	pair	5
8000P-26	HD Undermt. Pantry Overtravel Slide	26"	pair	5
8000P-28	HD Undermt. Pantry Overtravel Slide	28"	pair	5

Heavy Duty Overtravel Extension Drawer Slide

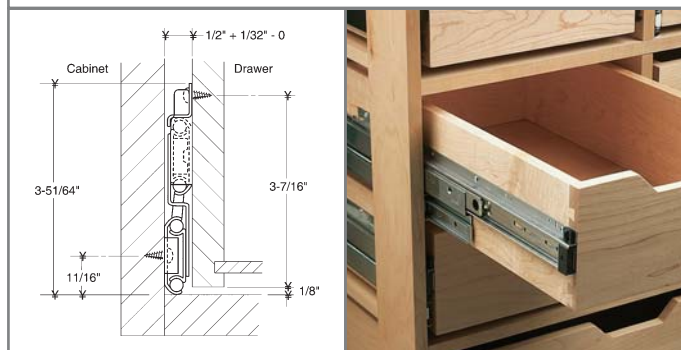
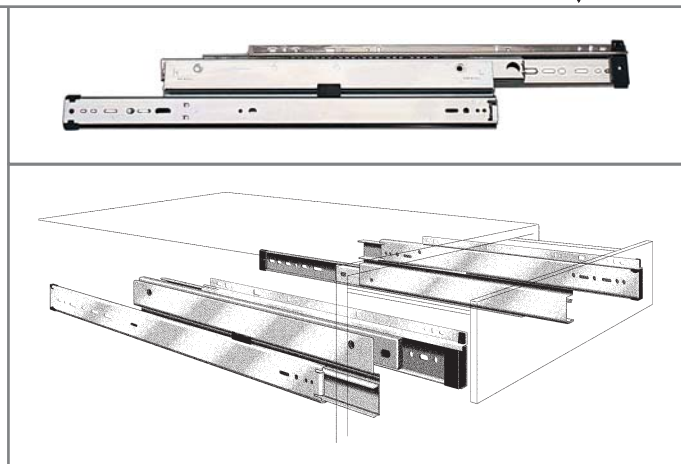


Heavy Duty Overtravel Extension Drawer Slide 8505

150 lb./68 kg. Load Rating

The 8505 is a heavy duty precision drawer slide for pedestal and lateral file drawers. It has 1-1/2" overtravel, maximum 30" drawer width. Side mounting for frame or frameless construction. The height is 3-51/64", and the clearance is 1/2" plus 1/32" minus 0" each side. It features progressive movement on precision steel ball bearings, 32mm hole pattern for system mounting and factory attached drawer release clips with non-handed quick disconnect drawer members. The hold-in feature prevents bounce back. It also has positive in/out stops and a metal ball retainer that holds three bearings per inch of race for smooth and quiet motion. Model 8505 has an anochrome finish.

Individually poly packed five pairs with screws and installation instructions.



Product #	Description	Length	Unit	Qty Per Box
8505P-12	HD Overtravel Extension Slide	12"	pair	5
8505P-14	HD Overtravel Extension Slide	14"	pair	5
8505P-16	HD Overtravel Extension Slide	16"	pair	5
8505P-18	HD Overtravel Extension Slide	18"	pair	5
8505P-20	HD Overtravel Extension Slide	20"	pair	5
8505P-22	HD Overtravel Extension Slide	22"	pair	5
8505P-24	HD Overtravel Extension Slide	24"	pair	5
8505P-26	HD Overtravel Extension Slide	26"	pair	5
8505P-28	HD Overtravel Extension Slide	28"	pair	5

Heavy Duty Overtravel Extension Drawer Slide



Heavy Duty Overtravel Extension Drawer Slide 8805

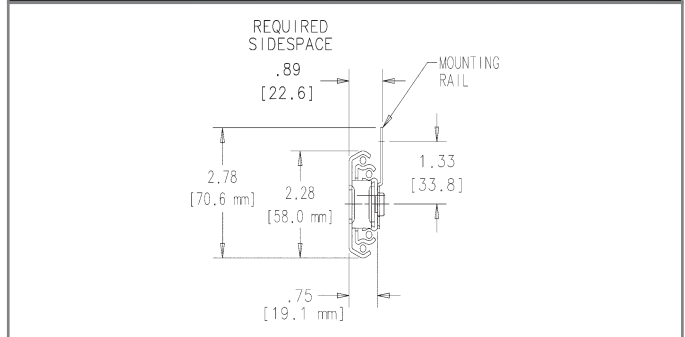
200 lb./91 kg. Load Rating

The 8805 heavy-duty drawer slide with quick disconnect rail and overtravel is designed for use wherever strength and durability are needed -- with wide drawer applications. It is side mounted, has 1" overtravel, maximum 42" drawer width. The height is 2-9/32" (with QD 2-25/32"), and the clearance is 0.89" plus 0.030" minus 0" each side. It features telescopic movement on precision steel ball bearings and a non-handed design for easy installation. Model 8805 has a zinc finish.

Bulk packed four pairs per box without screws. Customer supplied #8 pan-head mounting screws.



Product #	Description	Length	Unit	Qty Per Box
8805B-16	HD Overtravel Extension Slide	16"	pair	4
8805B-18	HD Overtravel Extension Slide	18"	pair	4
8805B-20	HD Overtravel Extension Slide	20"	pair	4
8805B-22	HD Overtravel Extension Slide	22"	pair	4
8805B-24	HD Overtravel Extension Slide	24"	pair	4
8805B-26	HD Overtravel Extension Slide	26"	pair	4
8805B-28	HD Overtravel Extension Slide	28"	pair	4



Extra Heavy Duty Full Extension Drawer Slide



Extra Heavy Duty Full Extension Drawer Slide 8900

180 - 500 lb./82 - 227 kg. Load Rating

8900 is an extra heavy duty precision drawer slide ideal for use wherever extra strength and durability are required, such as industrial, commercial or vehicle large storage drawer applications. Side/flat mounted, 3" +/- 0.020" height, 3/4" +/- 0.030" clearance. Telescopic movement on heavy duty precision steel ball bearings carry the heaviest loads without sticking. Heavy duty stops are designed to survive rough field use. It also has a non-handed design for easy installation, and the non-metallic open and closed stops assure smooth, silent operation. 500 lbs. modest use, 400 lbs. normal use, 300 lbs. vehicular use, 180 lbs. flat mount. Zinc plated with clear chromate.

Bulk packed as shown below without screws. Customer supplied #10 (82°) flathead machine screws on cabinet member, #10 panhead machine screws on drawer channel.



Product #	Description	Length	Unit	Qty Per Box
8900B-16	Extra HD Full Extension Slide	16"	pair	4
8900B-18	Extra HD Full Extension Slide	18"	pair	4
8900B-20	Extra HD Full Extension Slide	20"	pair	4
8900B-22	Extra HD Full Extension Slide	22"	pair	3
8900B-24	Extra HD Full Extension Slide	24"	pair	3
8900B-26	Extra HD Full Extension Slide	26"	pair	3
8900B-28	Extra HD Full Extension Slide	28"	pair	3
8900B-30	Extra HD Full Extension Slide	30"	pair	2

