

Heavy Duty TV Swivel



Heavy Duty Full Extension TV Roll-Out Swivel Slide 1388

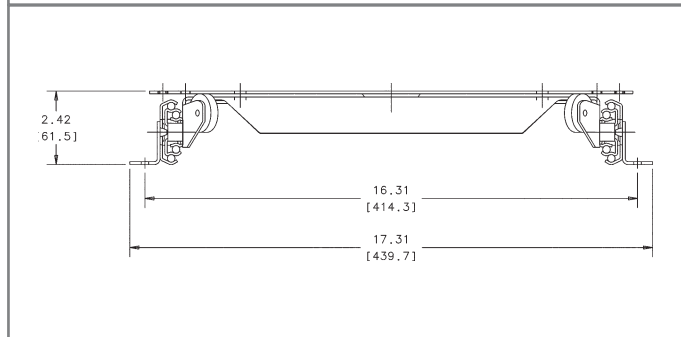
225 lb./102 kg. Load Rating

The 1388 is a heavy duty TV swivel specially designed for computer and entertainment centers. It operates on a full 3/4 extension precision ball bearing slide assembly. It features a 360 degree turntable swivel supported by four large wheels arranged in a circular fashion for wide swivel action. Model 1388 has a black finish.

Packed one unit per carton with installation instructions and mounting hardware.

Dimensions

17-5/16" wide x 2-7/16" high
 Plate dimensions: 16" x 16"
 Plate diagonal dimensions: 22"
 Slide length: 15-1/2"
 Slide travel: 14"



Product #	Description	Length	Unit	Qty Per Box
1388	HD Full Extension TV Swivel	-	each	10

Heavy Duty TV Swivel



Heavy Duty Large Platform TV Roll-Out Swivel Slide 1389

225 lb./102 kg. Load Rating

The 1389 is a heavy duty TV swivel specially designed for computer and entertainment centers. It operates on a full 7/8 extension precision ball bearing slide assembly. It features a 180 degree turntable swivel supported by four large wheels arranged in a circular fashion for wide swivel action. Model 1389 has a black finish.

Packed one unit per carton with installation instructions and mounting hardware.

Dimensions

17-5/16" wide x 2-7/16" high
 Plate dimensions: 16" x 25-1/2"
 Plate diagonal dimensions: 30-3/8"
 Slide length: 15-1/2"
 Slide travel: 14"



Product #	Description	Length	Unit	Qty Per Box
1389	HD Full Extension TV Swivel	-	each	10