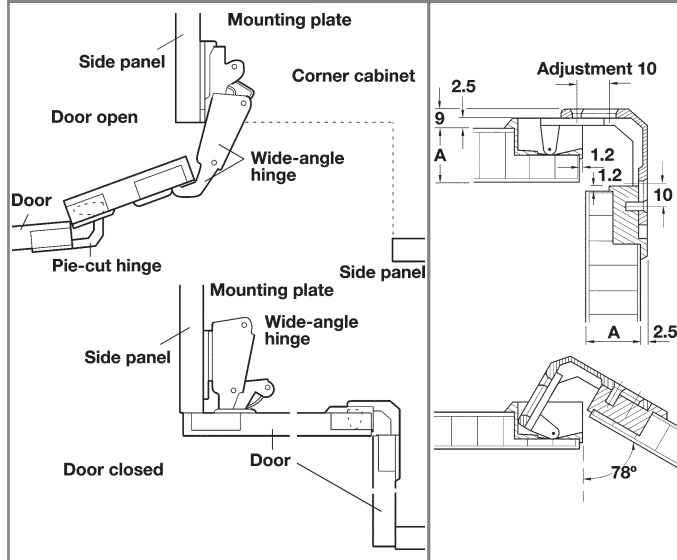
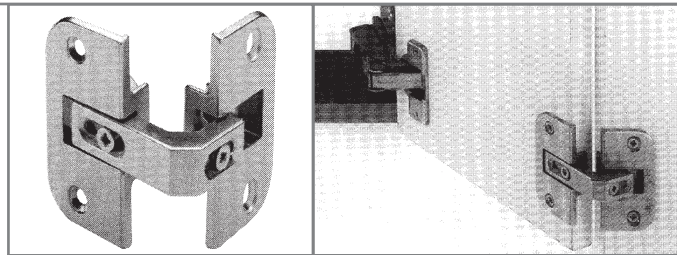
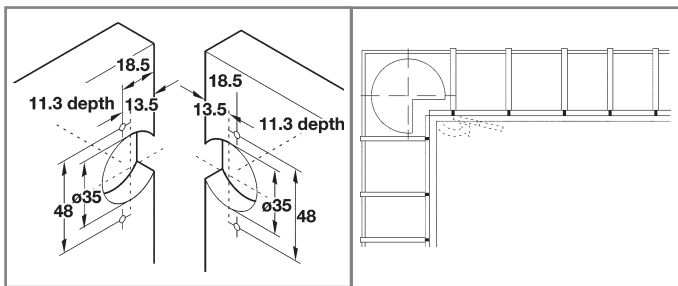


## Pie-Cut Corner Hinge

### Pie-Cut Corner Hinge 78° L44300800P

The Pie-Cut Corner hinge features a rugged design for revolving shelf kitchen cabinet installations. It meets all design requirements for three-way adjustability, quick mounting, concealed installation and sturdy construction. It is also adjustable to allow a small air circulation gap. The pie-cut corner hinge can be used for door thickness from 9/16" to 15/16" (15mm to 24mm, marked "A" in the diagram at right). 35mm standard cup size (two 35mm diameter holes, 11mm depth), 78° opening angle. Hinge arm and cup are zinc die-cast, nickel plated. Screw-mounted version requires Hospa Ø4.0 x 15/17mm particle board screws with countersunk head and Z cross slot.

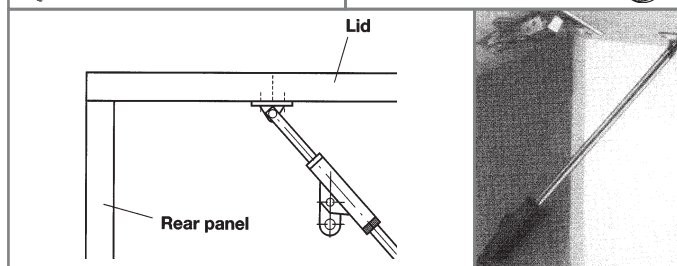
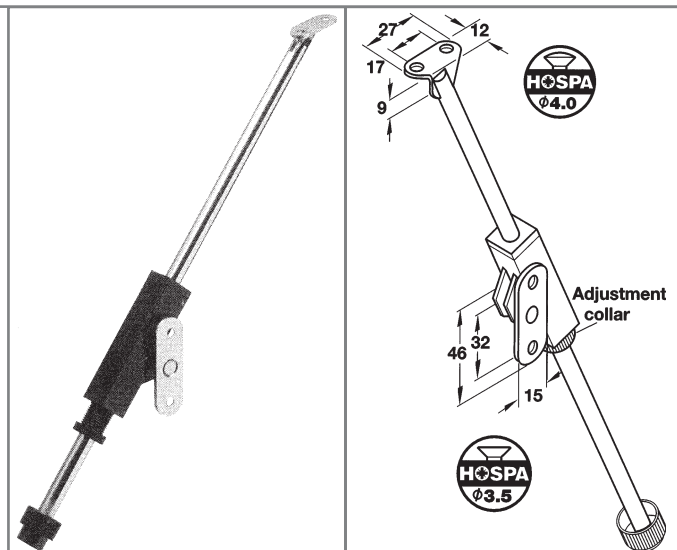
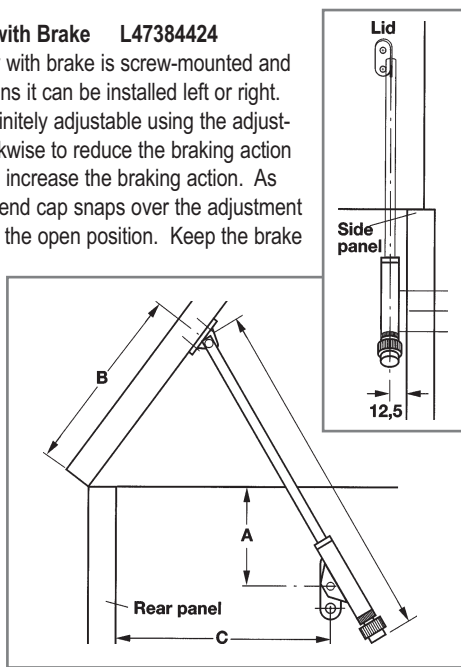


Product #	Description	Overlay	Unit	Qty Per Box
L44300800P	78° Screw-On Pie-Cut Corner Hinge	-	each	12

## Lid Stay

### Master-Stop Lid Stay with Brake L47384424

The master-stop lid stay with brake is screw-mounted and is reversible, which means it can be installed left or right. The braking action is infinitely adjustable using the adjustment collar, turning clockwise to reduce the braking action and counterclockwise to increase the braking action. As the door is opened, the end cap snaps over the adjustment collar to lock the door in the open position. Keep the brake piston free of oil, grease and other contaminants at all times. L47384424 is 260mm in length, and Dimensions A, B and C (see diagram) are determined by trial mounting depending on the lid opening angle. Finish is black plastic and nickel plated steel.



Product #	Description	Overlay	Unit	Qty Per Box
L47384424	Lid Stay with Brake 260mm	-	each	30