

Router Bits



Economy Insert Flush Trim Bits RC-2000

2 Flute with Ball Bearing Guide

New design with small, two-sided carbide insert knives. The ideal router bit for both routers and hand-held laminate trimmers with 1/4" shank. New design breakthrough allows us to manufacture this insert bit for practically the same cost as a regular brazed router bit. Highly recommended. Replacement knives available (RCK-8), minimum order 10 each, \$1.70 each.

No-File™ Bits 47150 47154

2 Flute with Ball Bearing Guide, U.S. Patent No. 4,669,923

Our patented "No-File" bit eliminates hand filing of laminates that normally follows trimming. These specially designed tools will flush trim the laminate and "break" the sharp edge all in one pass.

NOTE: 47154 is for laminates 0.025 - 0.038 thick (0.4mm radius). 47150 is for laminates 0.042 - 0.052 thick (1.5mm radius).

Bevel Trim Bits 47200

2 Flute with Ball Bearing Guide

Solid Carbide Bits 51200 51202

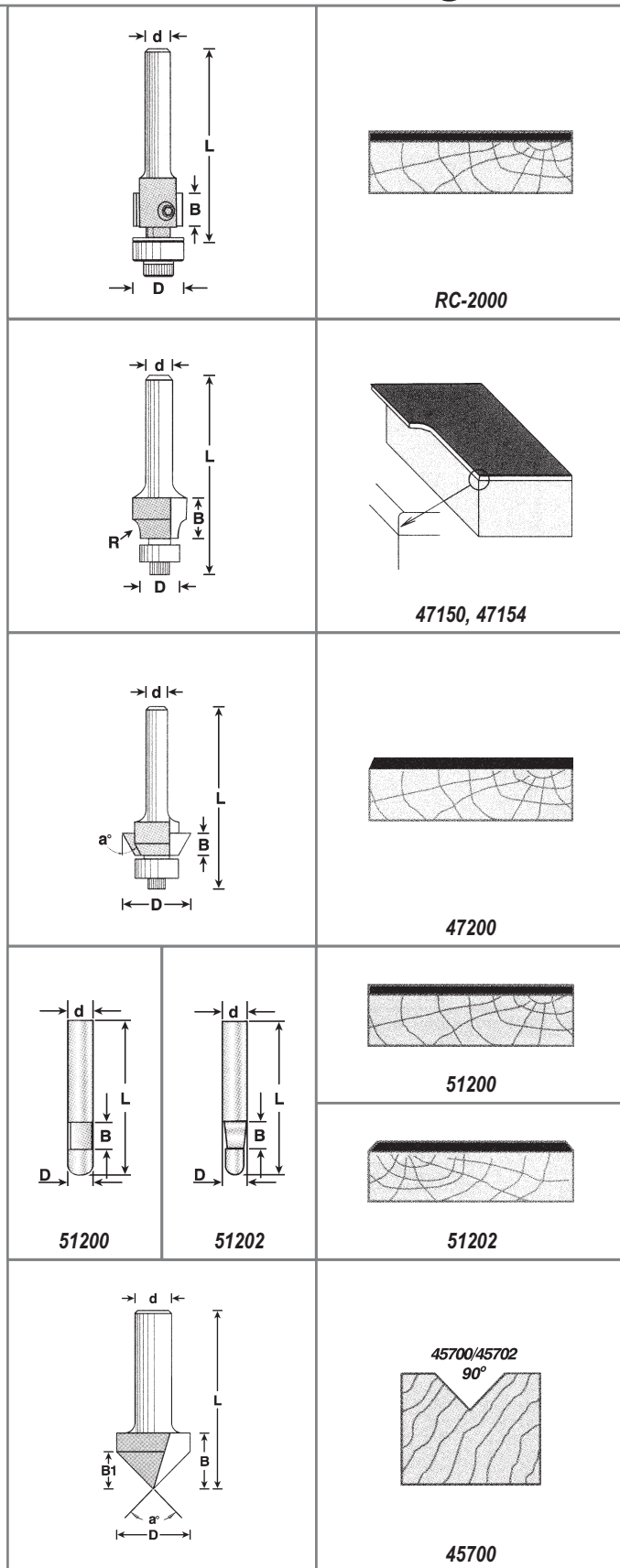
Single Flute, Panel Pilot

51200 is flush cut, 51202 is 7 degree cut.

'V' Groove Bits 45700

2 Flute

Note: 90° 'V' Groove Bits are for decorative purposes and are not intended for 'miter-folding', etc.



Product No.	Description	Bit Dimensions (in inches)					
		a°	D	B	B1/R	d	L
RC-2000	Bit, 2 Flute Economy Insert		1/2	5/16		1/4	2-1/4
47150	Bit, 2 Flute No-File		1/2	3/8	.059	1/4	1-7/8
47154	Bit, 2 Flute No-File		1/2	3/8	.015	1/4	1-7/8
47200	Bit, 2 Flute Bevel Trim	15	5/8	9/32		1/4	1-7/8
51200	Bit, 1 Flute SC Trim Flush		1/4	1/4		1/4	1-1/2
51202	Bit, 1 Flute SC Trim 7°		1/4	1/4		1/4	1-1/2
45700	Bit, 2 Flute V Groove	90	3/8	7/16	3/16	1/4	1-5/8

