

Router Bits



Straight Plunge Cutting Bits 45210 45218

1/4" Shank, 2 Flute

Straight Plunge Cutting Bits 45426

1/2" Shank, 2 Flute

A single flute allows for faster feed rates, greater chip clearance and maximum stock removal.

Flush Trim Plunge Bits 45460

2 Flute

Very useful for template and pattern routing where the template is on top of the workpiece. Ball bearing guide rides against the template for an exact duplication. If used on a router table, the pattern will be on the bottom, below the workpiece.

Flush Trim Bits with Ball Bearing Guide 47100 to 47108

2 Flute

Bearings not guaranteed due to size.

Extra Long Flush Trim Bits with Ball Bearing Guide 47126

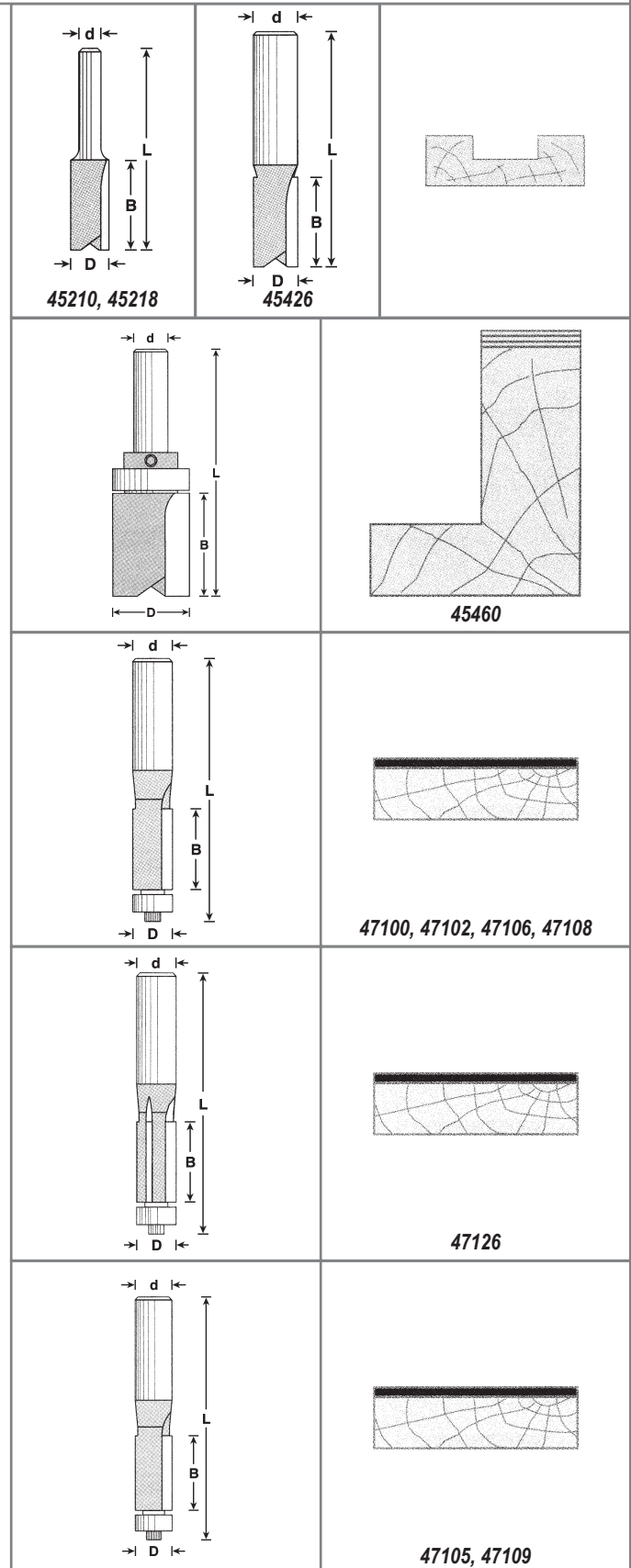
2 Flute

Bearings not guaranteed due to size.

Dynabit™ Laminate Trim Bits 47105 47109

2 Flute with Ball Bearing Guide

New downshear helix laminate trim bits for an excellent finish, especially in difficult materials such as melamine. Not recommended for use in a router table.



Product No.	Description	Bit Dimensions (in inches)				
		a°	D	B	R	d L
45210	Bit, 1/4" Shank 2 Flute		1/4	1		1/4 2
45218	Bit, 1/4" Shank 2 Flute		3/8	1		1/4 2-1/4
45426	Bit, 1/2" Shank 2 Flute		1/2	2		1/2 4-1/4
45460	Bit, 2 Flute FT Plunge		1/2	1		1/4 2-1/2
47100	Bit, 2 Flute Flush Trim		3/8	1		1/4 2-5/8
47102	Bit, 2 Flute Flush Trim		3/8	1/2		1/4 2-1/8
47106	Bit, 2 Flute Flush Trim		1/2	1/2		1/4 2-1/4
47108	Bit, 2 Flute Flush Trim		1/2	1		1/2 3-1/4
47126	Bit, 2 Flute EL Flush Trim		1/2	2		1/2 4-1/4
47105	Bit, 2 Flute Ball Brg. Guide		1/2	1		1/4 2-5/8
47109	Bit, 2 Flute Ball Brg. Guide		1/2	1		1/2 3

Router Bits



Economy Insert Flush Trim Bits RC-2000

2 Flute with Ball Bearing Guide

New design with small, two-sided carbide insert knives. The ideal router bit for both routers and hand-held laminate trimmers with 1/4" shank. New design breakthrough allows us to manufacture this insert bit for practically the same cost as a regular brazed router bit. Highly recommended. Replacement knives available (RCK-8), minimum order 10 each, \$1.70 each.

No-File™ Bits 47150 47154

2 Flute with Ball Bearing Guide, U.S. Patent No. 4,669,923

Our patented "No-File" bit eliminates hand filing of laminates that normally follows trimming. These specially designed tools will flush trim the laminate and "break" the sharp edge all in one pass.

NOTE: 47154 is for laminates 0.025 - 0.038 thick (0.4mm radius). 47150 is for laminates 0.042 - 0.052 thick (1.5mm radius).

Bevel Trim Bits 47200

2 Flute with Ball Bearing Guide

Solid Carbide Bits 51200 51202

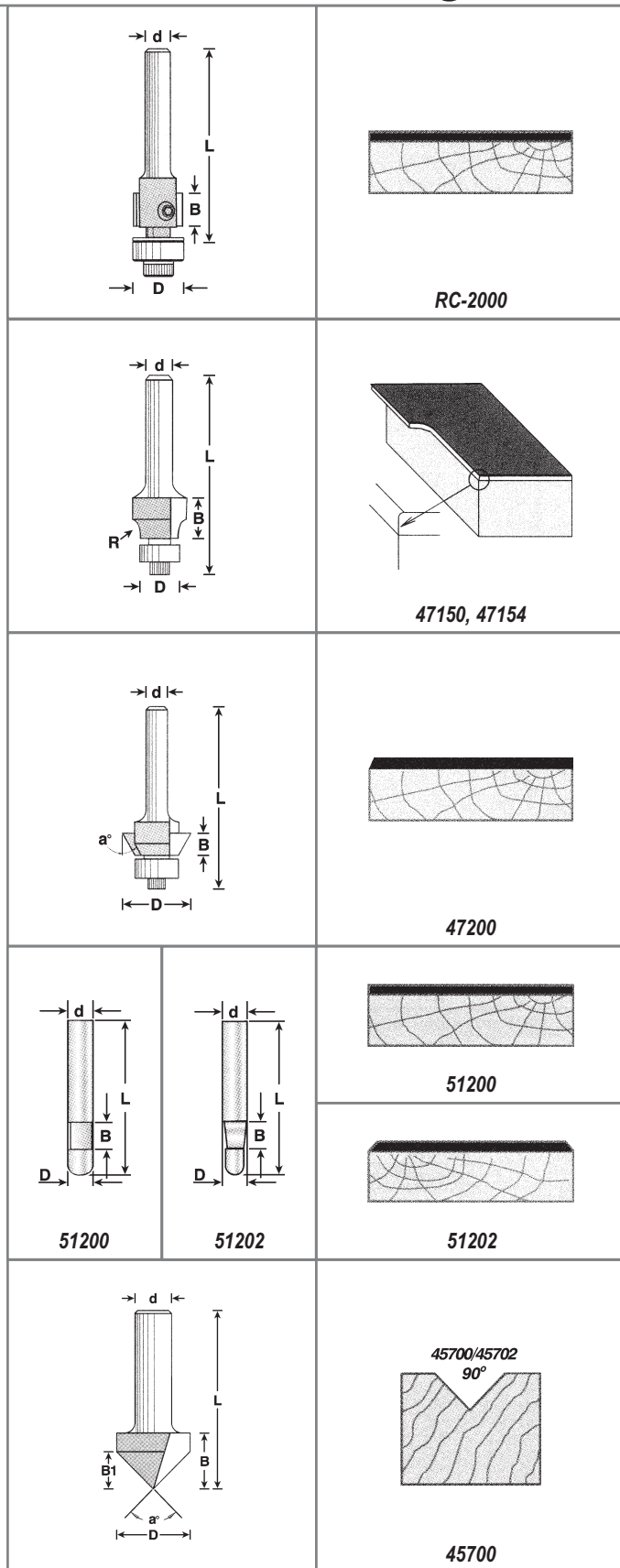
Single Flute, Panel Pilot

51200 is flush cut, 51202 is 7 degree cut.

'V' Groove Bits 45700

2 Flute

Note: 90° 'V' Groove Bits are for decorative purposes and are not intended for 'miter-folding', etc.



Product No.	Description	Bit Dimensions (in inches)					
		a°	D	B	B1/R	d	L
RC-2000	Bit, 2 Flute Economy Insert		1/2	5/16		1/4	2-1/4
47150	Bit, 2 Flute No-File		1/2	3/8	.059	1/4	1-7/8
47154	Bit, 2 Flute No-File		1/2	3/8	.015	1/4	1-7/8
47200	Bit, 2 Flute Bevel Trim	15	5/8	9/32		1/4	1-7/8
51200	Bit, 1 Flute SC Trim Flush		1/4	1/4		1/4	1-1/2
51202	Bit, 1 Flute SC Trim 7°		1/4	1/4		1/4	1-1/2
45700	Bit, 2 Flute V Groove	90	3/8	7/16	3/16	1/4	1-5/8

