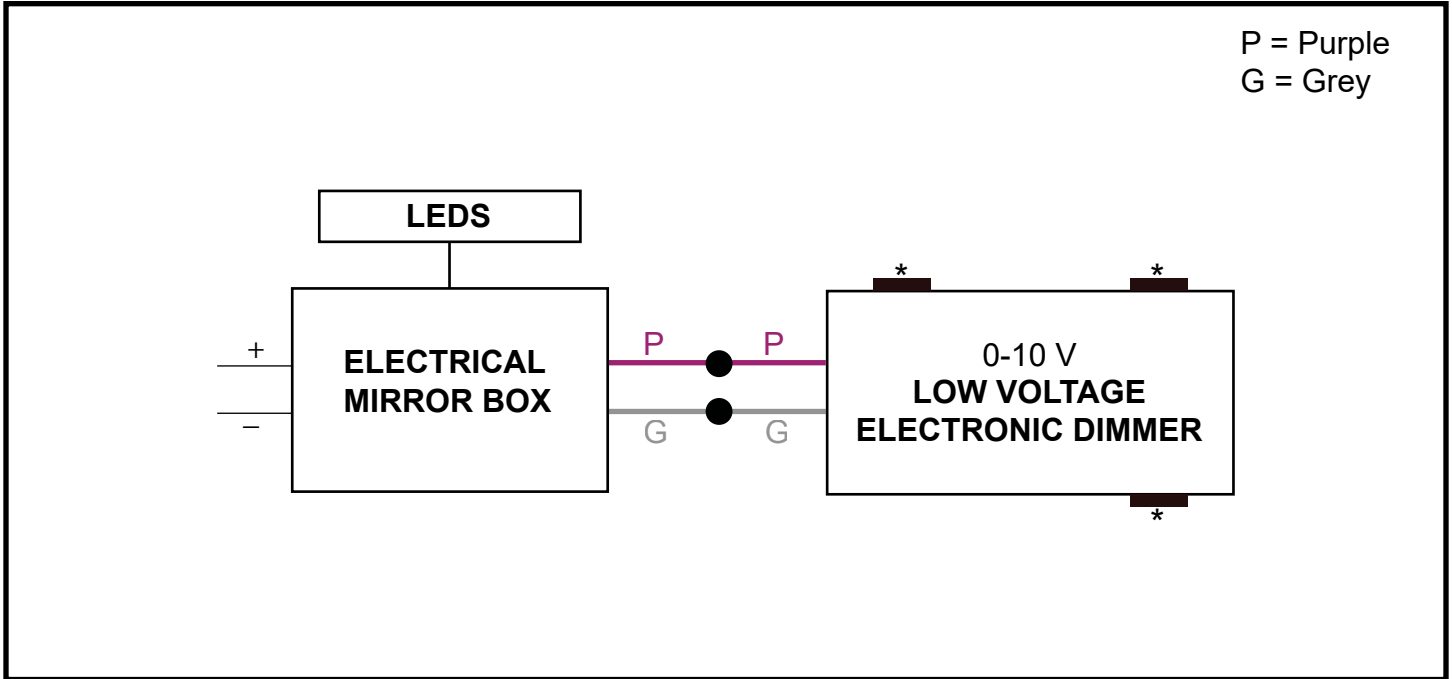


MIRROR TO WALL DIMMER



*Follow manufacturer instructions for dimmer installation

DIMMER SPECIFICATIONS:

0-10V low voltage electric dimmer for LED lights.

NOTE:

These electric components can be purchased at specialized electrical retailers.

MODELS SUGGESTED:

- DIVA DTVV from LUTRON
- IllumaTech IP710 from LEVITON
- DEVINE DF10P from COOPER
- SKYE SF10P from COOPER

For more information, please visit:

www.fleurcoluna.com